
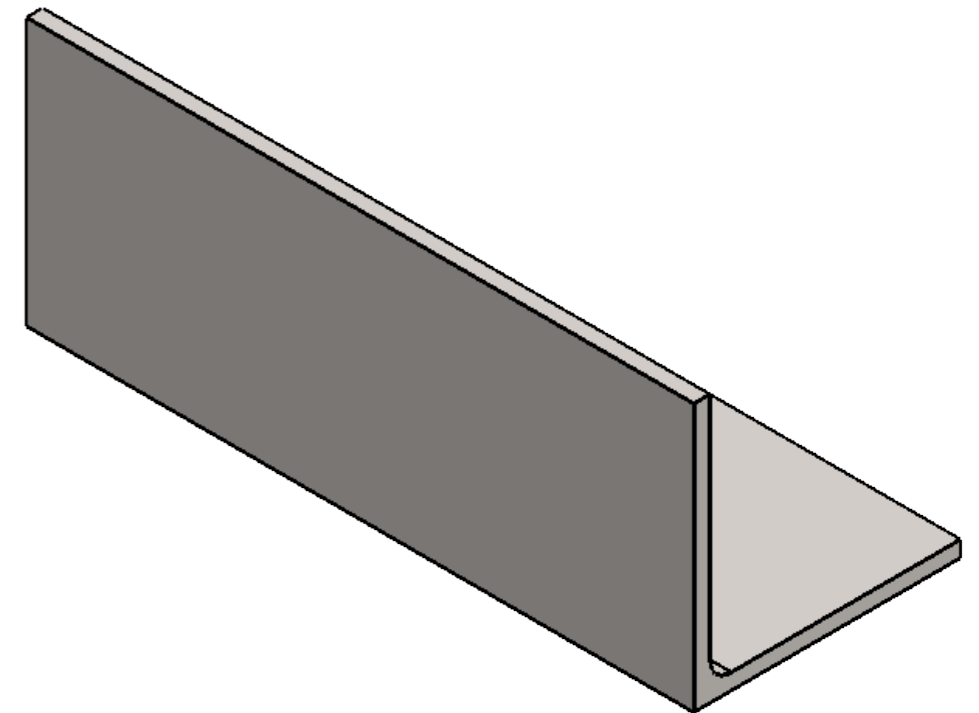
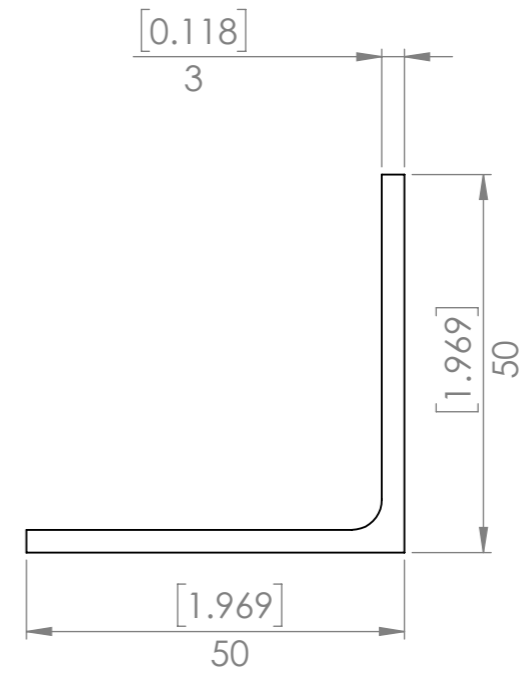
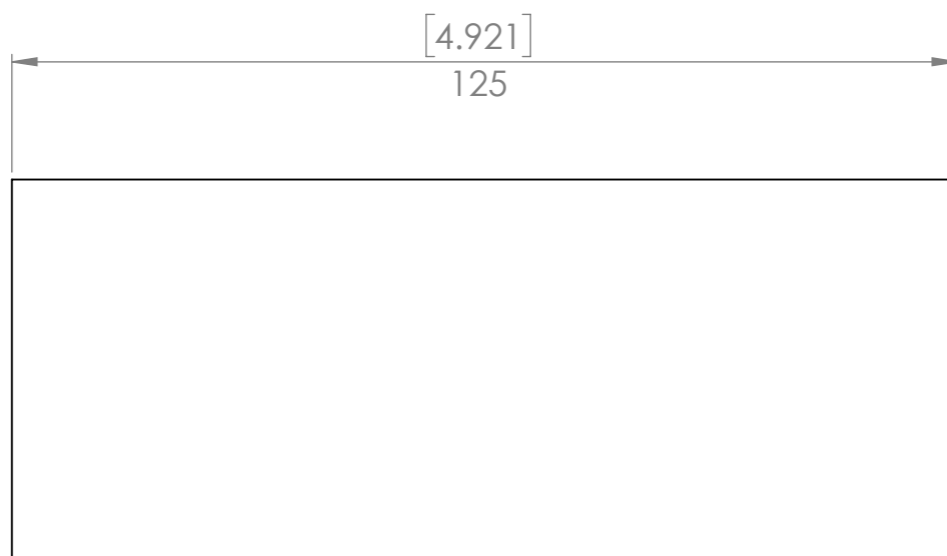
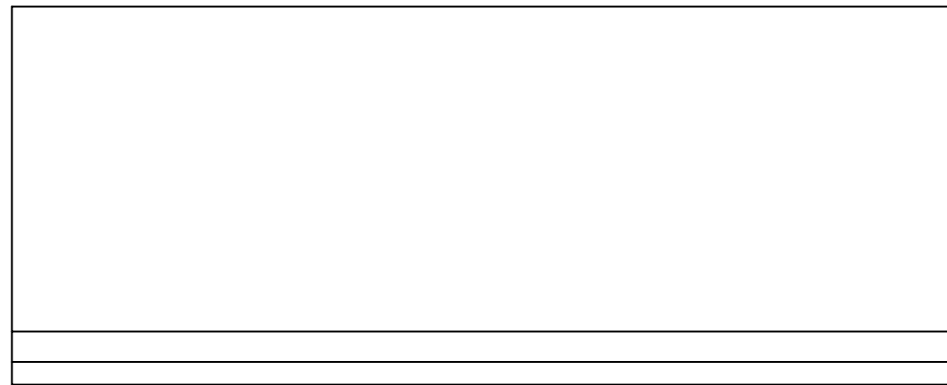

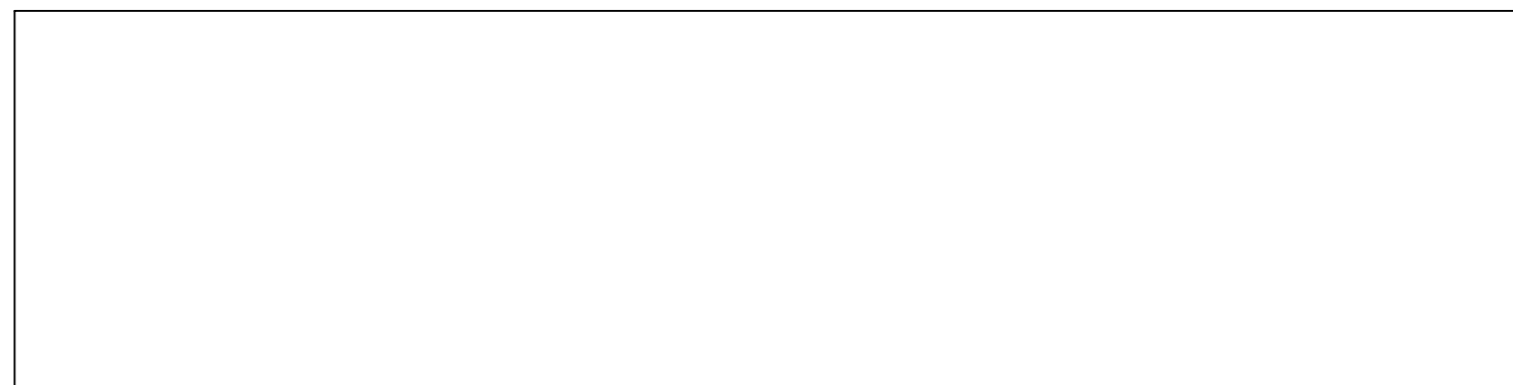
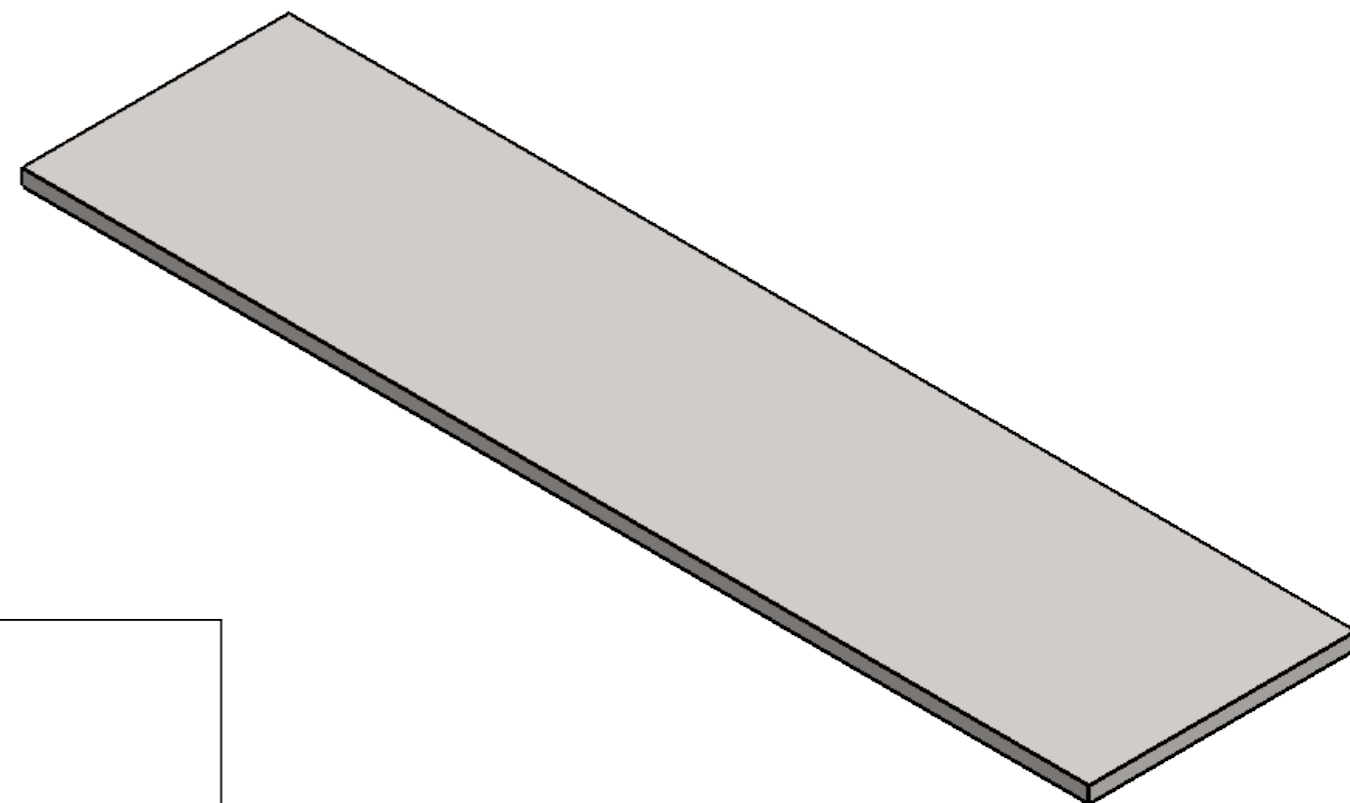
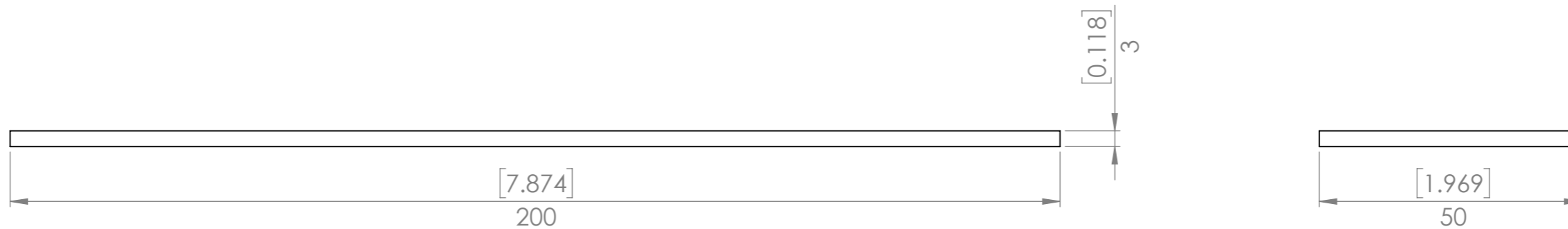


UNLESS OTHERWISE SPECIFIED: DIMENSIONS ARE IN MILLIMETERS		FINISH: Paint	DEBUR AND BREAK SHARP EDGES	DO NOT SCALE DRAWING	REVISION B
TOLERANCES: LINEAR: +/- 1mm ANGULAR: +/- 1degree				Designed 2 Build	
	NAME	DATE		Corner Jig	
DRAWN	Merlin	2017-04-22			
Q.A	Merlin	2017-04-22			
			STOCK:	TITLE: PART NO. p0088	
			STOCK SIZE:		
			MATERIAL: Assembly		
		WEIGHT: 808.15	SCALE:1:1	SHEET 1 OF 4	

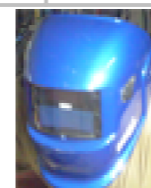
QTY.	PART NUMBER	DESCRIPTION	MATERIAL	WEIGHT
2	p0088-001	Angle	Plain Carbon Steel	287.07
1	p0088-002	Flat	Plain Carbon Steel	234.00

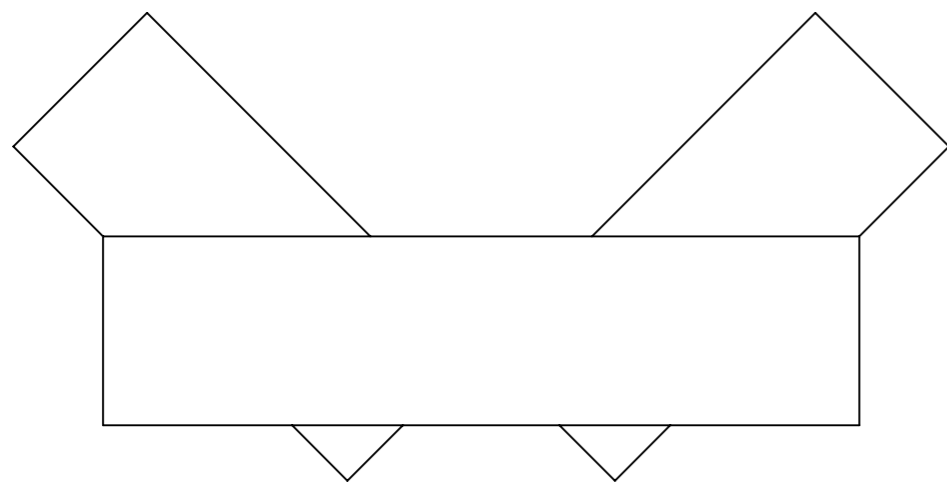
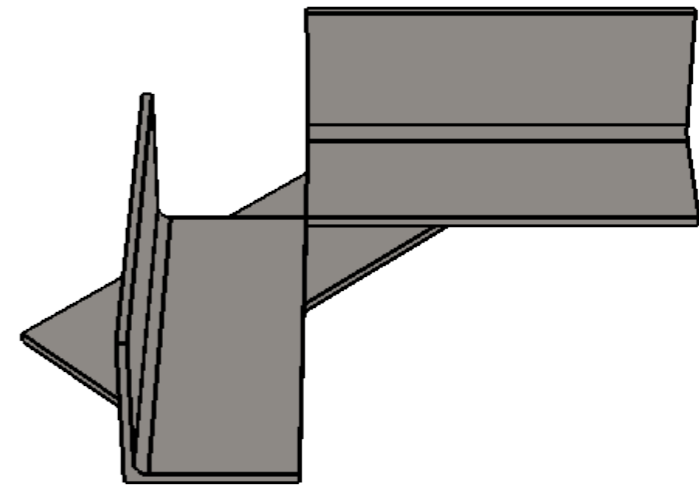
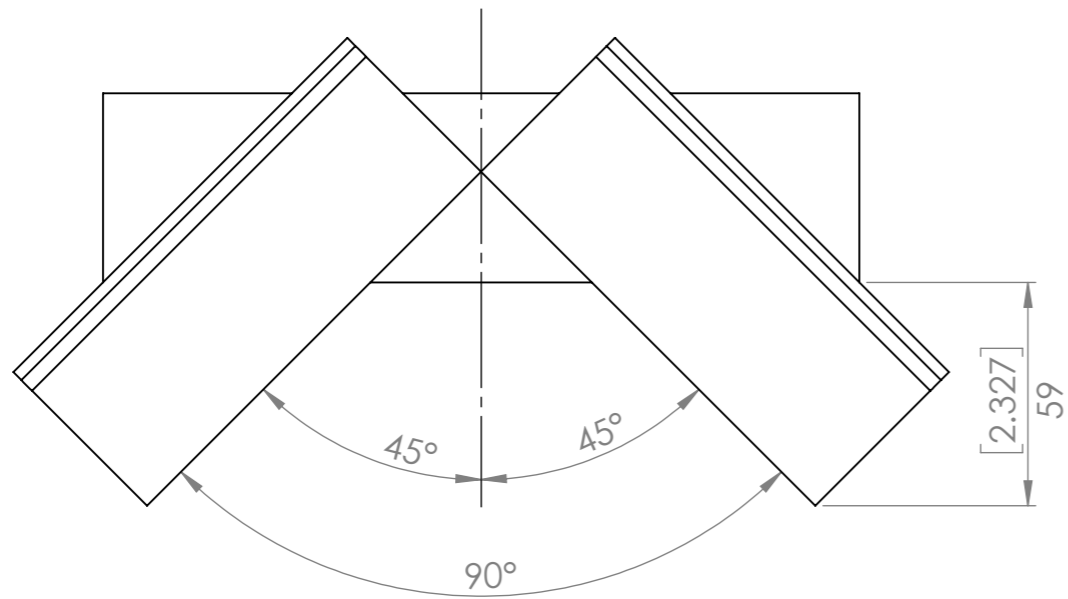


UNLESS OTHERWISE SPECIFIED: DIMENSIONS ARE IN MILLIMETERS		FINISH:		DEBUR AND BREAK SHARP EDGES		DO NOT SCALE DRAWING		REVISION B	
TOLERANCES: LINEAR: +/- 1mm ANGULAR: +/- 1degree						Designed 2 Build			
DRAWN		NAME		DATE		TITLE: Angle			
		Merlin		2017-04-22					
Q.A		NAME		DATE		PART NO. p0088-001			
		Merlin		2017-04-22					
		STOCK:		Angle		SCALE: 1:1			
		STOCK SIZE:		50x50x3mm					
		MATERIAL:		Plain Carbon Steel		SHEET 2 OF 4			
		WEIGHT:		287.07					

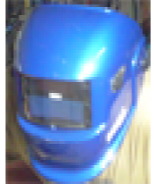


UNLESS OTHERWISE SPECIFIED: DIMENSIONS ARE IN MILLIMETERS		FINISH:		DEBUR AND BREAK SHARP EDGES		DO NOT SCALE DRAWING		REVISION B	
TOLERANCES: LINEAR: +/- 1mm ANGULAR: +/- 1degree						Designed 2 Build			
						Flat			
						p0088-002			
						A3			
						SCALE:1:1			
						SHEET 3 OF 4			
						WEIGHT: 234.00			
						PART NO. p0088-002			
						TITLE: Flat			
						STOCK: Flat			
						STOCK SIZE: 50 x 3 mm			
						MATERIAL: Plain Carbon Steel			
						DRAWN: Merlin 2017-04-22			
						Q.A: Merlin 2017-04-22			
						WEIGHT: 234.00			
						SCALE:1:1			
						SHEET 3 OF 4			
						PART NO. p0088-002			
						TITLE: Flat			
						STOCK: Flat			
						STOCK SIZE: 50 x 3 mm			
						MATERIAL: Plain Carbon Steel			
						DRAWN: Merlin 2017-04-22			
						Q.A: Merlin 2017-04-22			
						WEIGHT: 234.00			
						SCALE:1:1			
						SHEET 3 OF 4			





QTY.	PART NUMBER	DESCRIPTION	MATERIAL	WEIGHT
2	p0088-001	Angle	Plain Carbon Steel	287.07
1	p0088-002	Flat	Plain Carbon Steel	234.00

UNLESS OTHERWISE SPECIFIED: DIMENSIONS ARE IN MILLIMETERS		FINISH: Paint	DEBUR AND BREAK SHARP EDGES	DO NOT SCALE DRAWING	REVISION B
TOLERANCES: LINEAR: +/- 1mm ANGULAR: +/- 1degree				Designed 2 Build	
DRAWN	NAME Merlin	DATE 2017-04-22			
Q.A	NAME Merlin	DATE 2017-04-22		p0088	
		STOCK:			
		STOCK SIZE:		A3	
		MATERIAL:	Assembly		
		WEIGHT: 808.15		SHEET 4 OF 4	