

Metric fittings:
 4 x 10mm bolts and nuts. 20mm long
 1 x 10mm holt and nut. 210mm long

Imperial fittings:
 4 x 3/8" bolts and nuts. 1" long
 1 x 3/8" holt and nut. 4.5" long

DISCLAIMER:

I have built this Easy Lift and have used it.

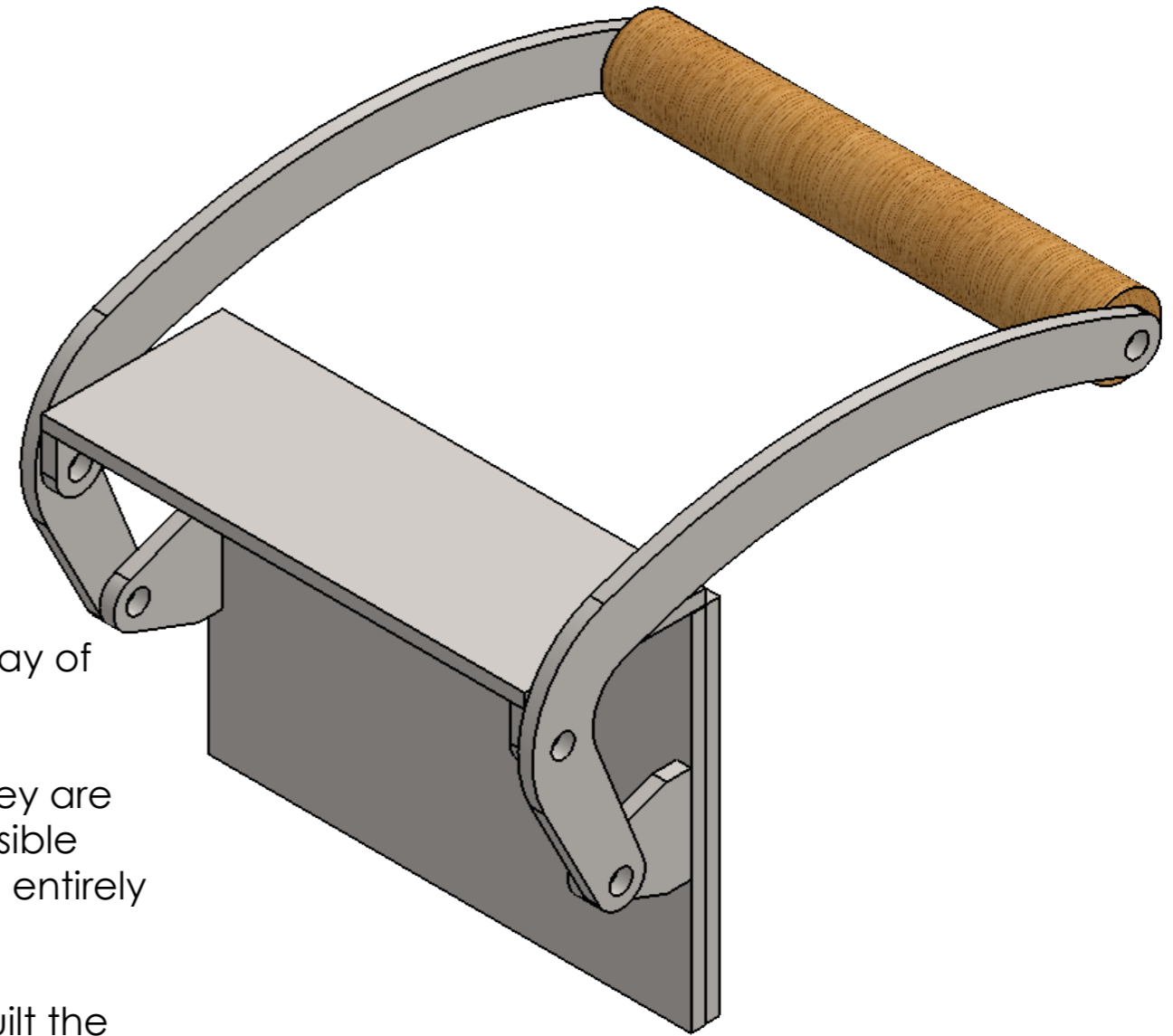
Be warned that I am not an engineer and there has been very little in the way of strength analysis done on this. It is all eyeball engineering.

I provide the plans as an example of something that has worked for me. They are provided for educational purposes only. I want to stress in the strongest possible terms that if you choose to build something from these plans then you do so entirely at your own risk.


Where the plans feature a "QA Date" this only means that I have actually built the item in the plans and completed the build on that date. It does **NOT** mean that the design passed any form of quality assurance.

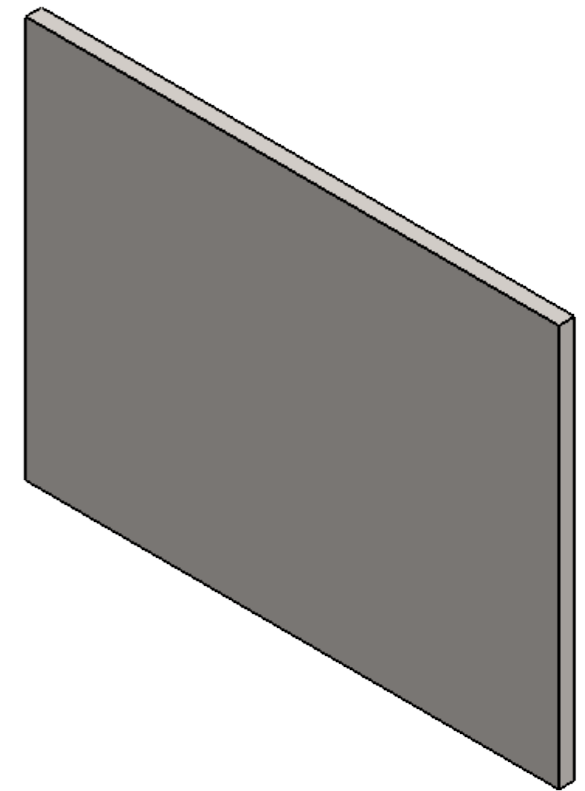
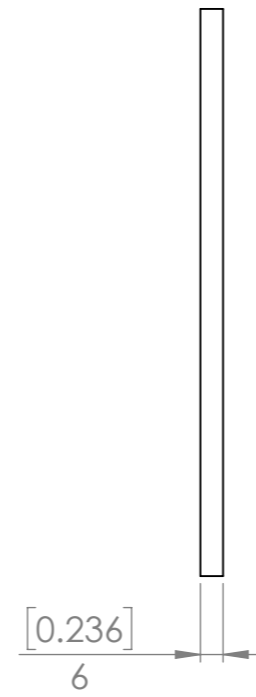
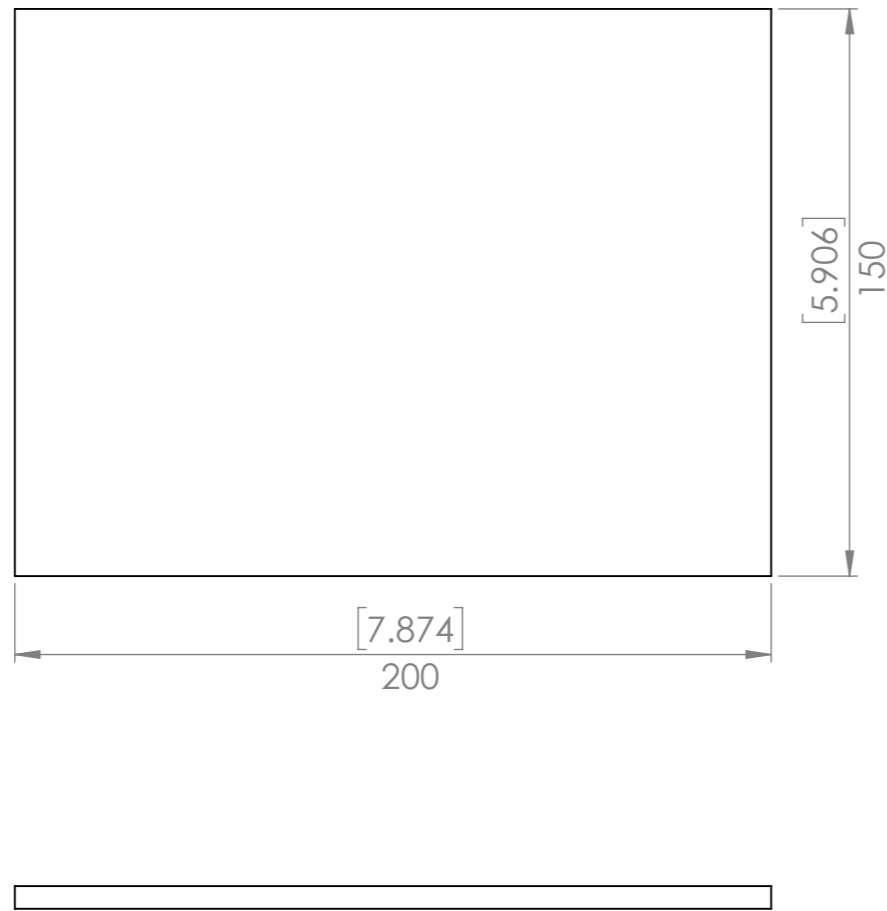
I have no control of the quality of construction nor the modifications you may make to the design. I take no responsibility for anything you choose to do with these plans.


If you do not fully understand everything above or if you do not fully agree with it then DO NOT USE THESE PLANS.

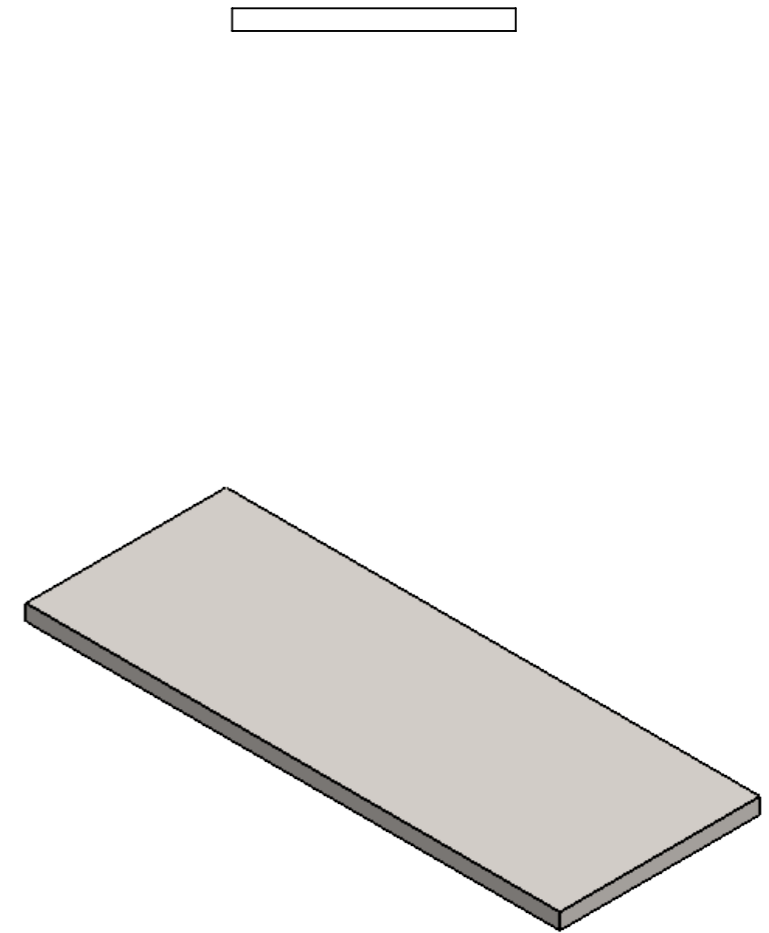
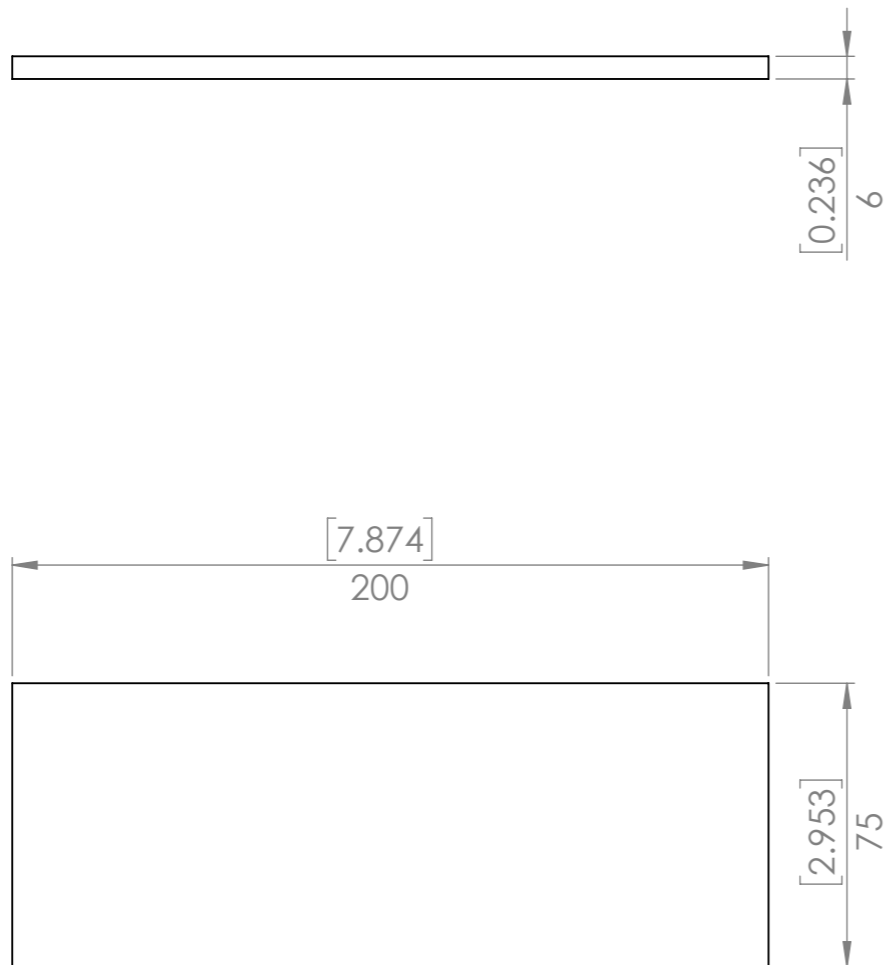



QTY.	PART NUMBER	DESCRIPTION	MATERIAL	WEIGHT
2	p0095-001	Grip Plate	Plain Carbon Steel	1404.00
2	p0095-003	Long Hindge	Plain Carbon Steel	58.70
1	p0095-002	Top	Plain Carbon Steel	702.00
2	p0095-004	Short Hindge	Plain Carbon Steel	18.06
1	p0095-006	Grip	Oak	82.10
2	p0095-005	Arm	Plain Carbon Steel	356.78

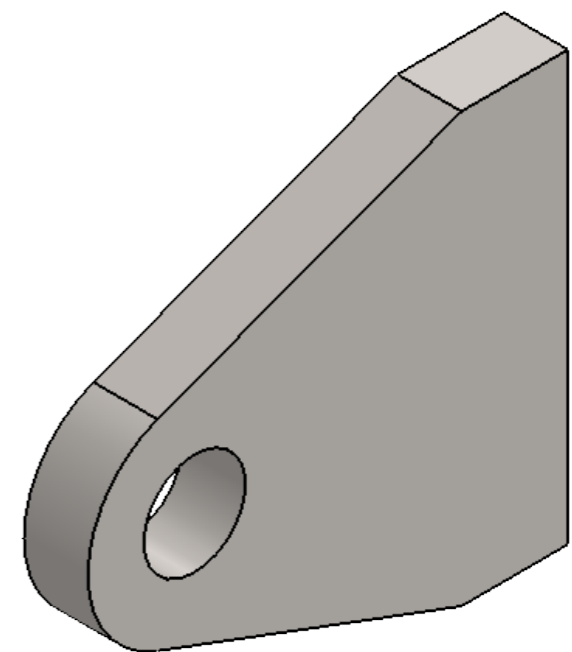
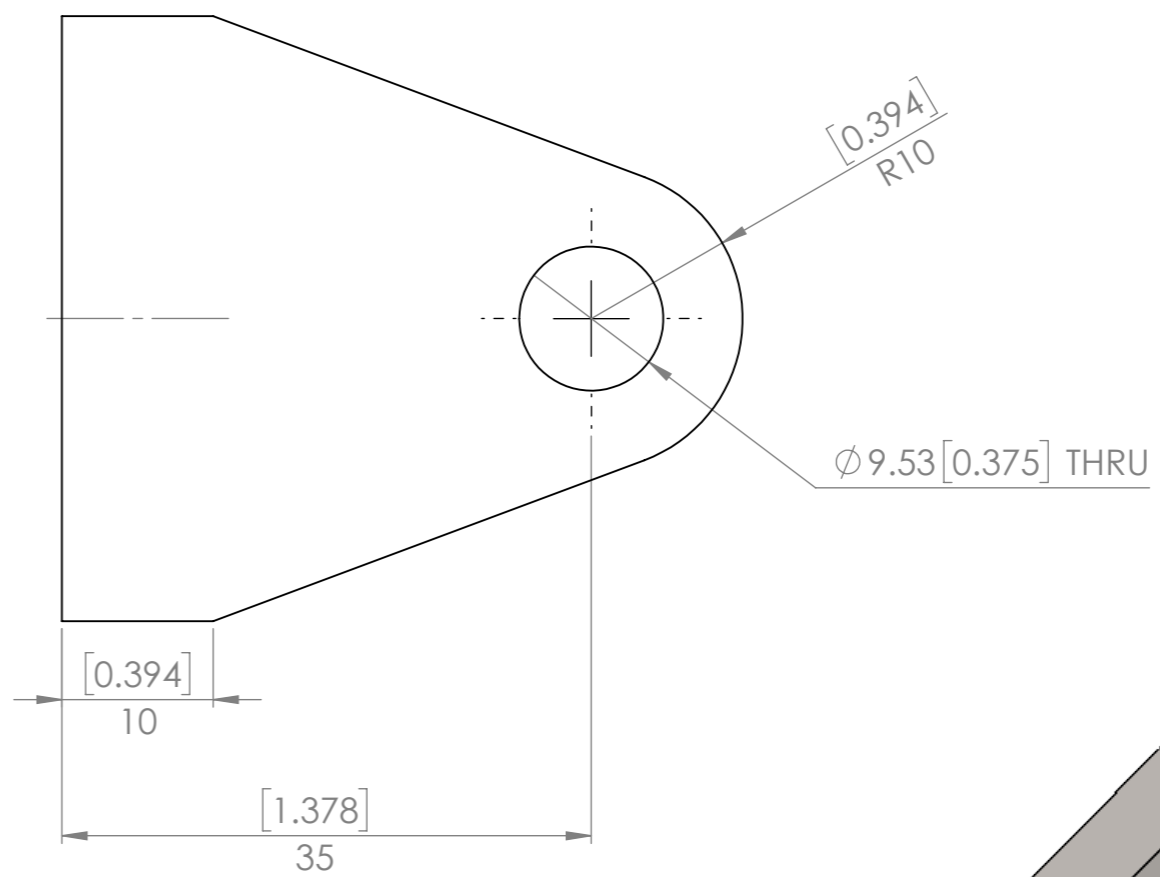
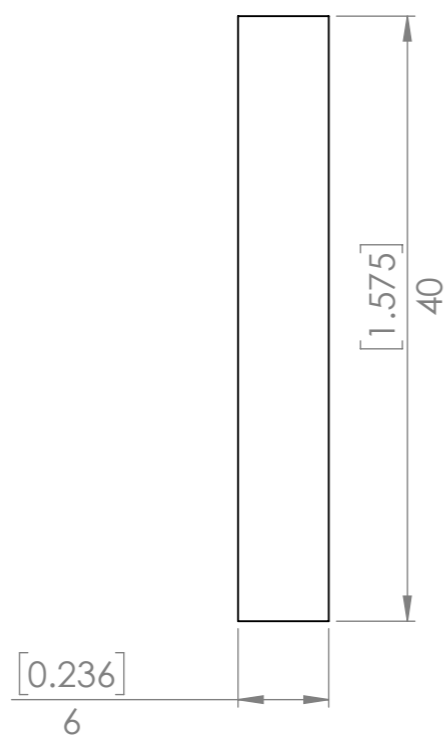
UNLESS OTHERWISE SPECIFIED: DIMENSIONS ARE IN MILLIMETERS		FINISH: Paint	DEBUR AND BREAK SHARP EDGES	DO NOT SCALE DRAWING	REVISION A
TOLERANCES: LINEAR: +/- 1mm ANGULAR: +/- 1degree				Designed 2 Build	
	NAME	DATE		TITLE: Easy Lift	
DRAWN	Merlin	2017-08-04			
Q.A	Merlin	2017-09-19			
 Copyright (c)2017 Designed 2 Build All rights reserved. Permission is hereby granted to produce one item from these plans for personal use only.		STOCK:		PART NO.	p0095
		STOCK SIZE:			
		MATERIAL:	Assembly		
		WEIGHT: 4459.16		SCALE:1:2	SHEET 1 OF 12




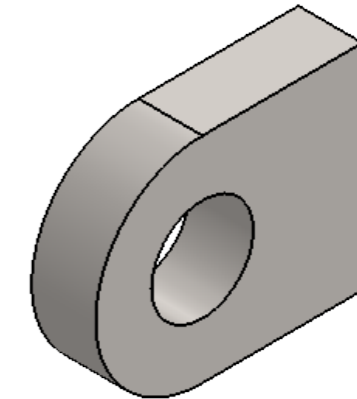
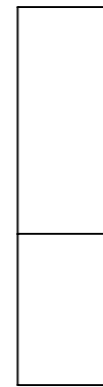
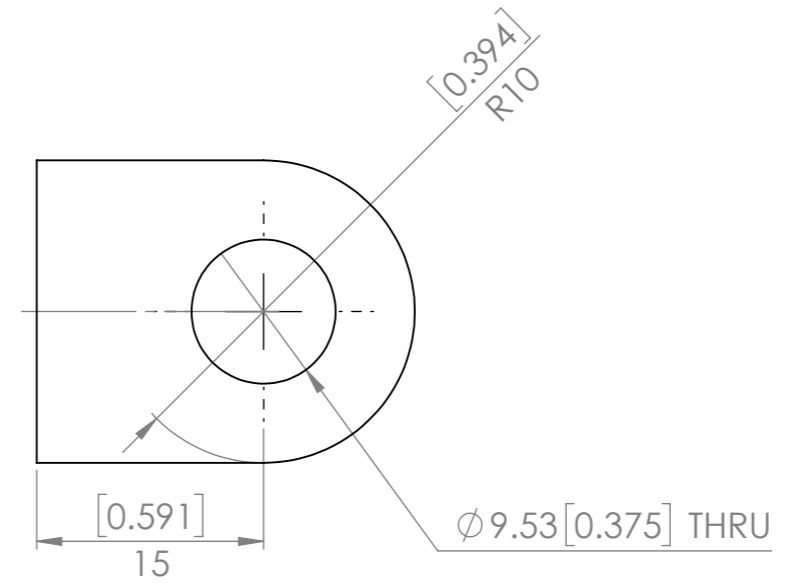
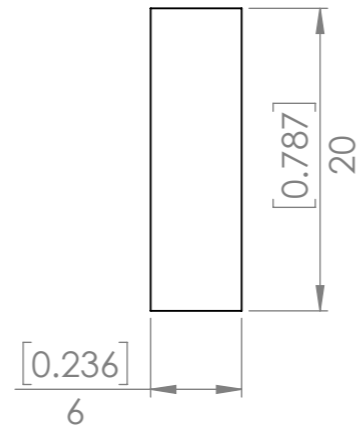
UNLESS OTHERWISE SPECIFIED: DIMENSIONS ARE IN MILLIMETERS		FINISH:		DEBUR AND BREAK SHARP EDGES		DO NOT SCALE DRAWING		REVISION A		
TOLERANCES: LINEAR: +/- 1mm ANGULAR: +/- 1degree						Designed 2 Build				
DRAWN		NAME Merlin		DATE 2017-08-04		TITLE: Grip Plate				
Q.A		NAME Merlin		DATE 2017-09-19						
		Copyright (c)2017 Designed 2 Build All rights reserved. Permission is hereby granted to produce one item from these plans for personal use only.		STOCK:		Flat		PART NO. p0095-001		A3
				STOCK SIZE:		200x150x6				
				MATERIAL:		Plain Carbon Steel				
		WEIGHT: 1404.00		SCALE:1:2		SHEET 2 OF 12				




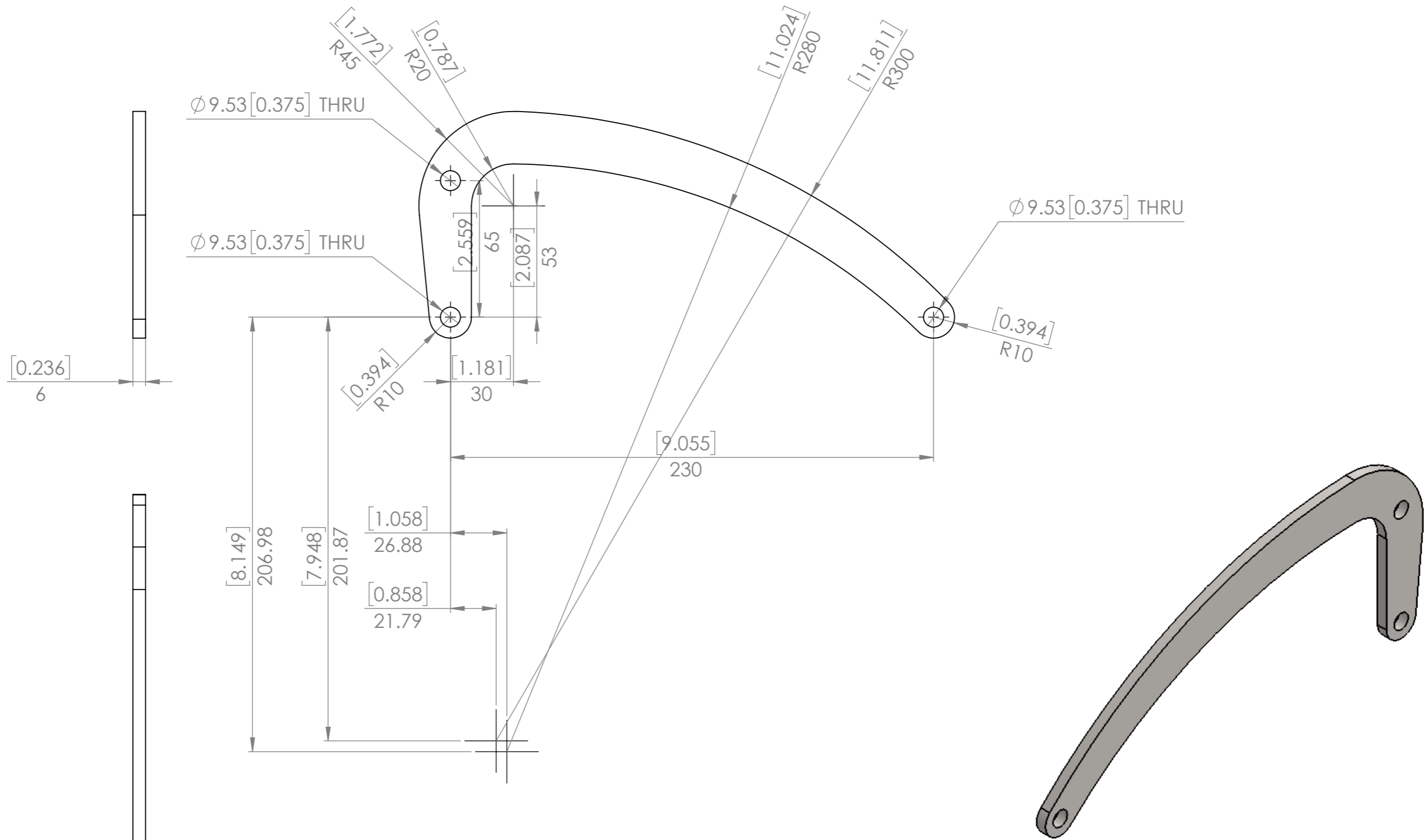
UNLESS OTHERWISE SPECIFIED: DIMENSIONS ARE IN MILLIMETERS		FINISH:		DEBUR AND BREAK SHARP EDGES		DO NOT SCALE DRAWING		REVISION A	
TOLERANCES: LINEAR: +/- 1mm ANGULAR: +/- 1degree						Designed 2 Build			
DRAWN		NAME		DATE		TITLE: Top			
		Merlin		2017-08-04					
Q.A		NAME		DATE		PART NO. p0095-002			
		Merlin		2017-09-19					
		Copyright (c)2017 Designed 2 Build All rights reserved. Permission is hereby granted to produce one item from these plans for personal use only.		STOCK:		Flat		SCALE:1:2	
				STOCK SIZE:		200x75x6			
		MATERIAL:		Plain Carbon Steel		WEIGHT: 702.00		SHEET 3 OF 12	
								A3	




UNLESS OTHERWISE SPECIFIED: DIMENSIONS ARE IN MILLIMETERS		FINISH:		DEBUR AND BREAK SHARP EDGES		DO NOT SCALE DRAWING		REVISION A	
TOLERANCES: LINEAR: +/- 1mm ANGULAR: +/- 1degree						Designed 2 Build Long Hodge			
NAME	DATE								
DRAWN Merlin	2017-08-04					TITLE:			
Q.A Merlin	2017-09-19					PART NO.		p0095-003	
 Copyright (c)2017 Designed 2 Build All rights reserved. Permission is hereby granted to produce one item from these plans for personal use only.		STOCK:		Flat		SCALE:2:1		SHEET 4 OF 12	
		STOCK SIZE:		45x40x6		WEIGHT: 58.70			
		MATERIAL:		Plain Carbon Steel				A3	



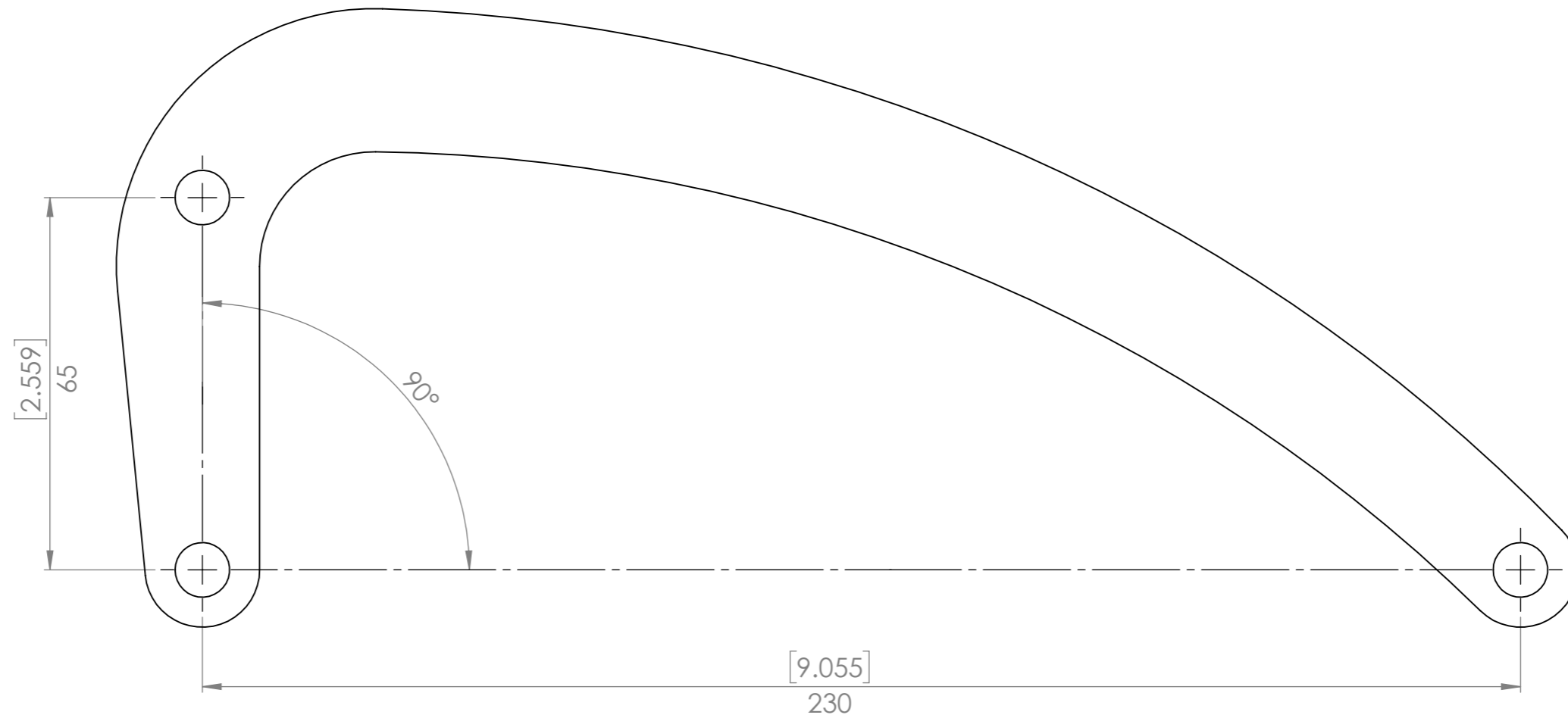
UNLESS OTHERWISE SPECIFIED: DIMENSIONS ARE IN MILLIMETERS		FINISH:		DEBUR AND BREAK SHARP EDGES		DO NOT SCALE DRAWING		REVISION A	
TOLERANCES: LINEAR: +/- 1mm ANGULAR: +/- 1degree						<h2 style="text-align: center;">Designed 2 Build</h2>			
DRAWN		NAME		DATE		<h2 style="text-align: center;">Short Hindge</h2>			
Q.A		Merlin		2017-08-04					
		Merlin		2017-09-19		<p>TITLE:</p> <p style="text-align: center;">Short Hindge</p>			
		Copyright (c)2017 Designed 2 Build All rights reserved. Permission is hereby granted to produce one item from these plans for personal use only.		STOCK:		Flat		PART NO. <h2 style="text-align: center;">p0095-004</h2>	
				STOCK SIZE:		35x20x6			
		MATERIAL:		Plain Carbon Steel		SCALE:2:1		SHEET 5 OF 12	
		WEIGHT: 18.06							



See next sheet also.


UNLESS OTHERWISE SPECIFIED: DIMENSIONS ARE IN MILLIMETERS		FINISH:		DEBUR AND BREAK SHARP EDGES		DO NOT SCALE DRAWING		REVISION A	
TOLERANCES: LINEAR: +/- 1mm ANGULAR: +/- 1degree						Designed 2 Build			
DRAWN Merlin		DATE 2017-08-04				TITLE: Arm			
Q.A Merlin		DATE 2017-09-19							
		Copyright (c)2017 Designed 2 Build All rights reserved. Permission is hereby granted to produce one item from these plans for personal use only.		STOCK: Flat		PART NO.		p0095-005	
				STOCK SIZE: See video		MATERIAL: Plain Carbon Steel		A3	
				WEIGHT: 356.78		SCALE:1:2		SHEET 6 OF 12	

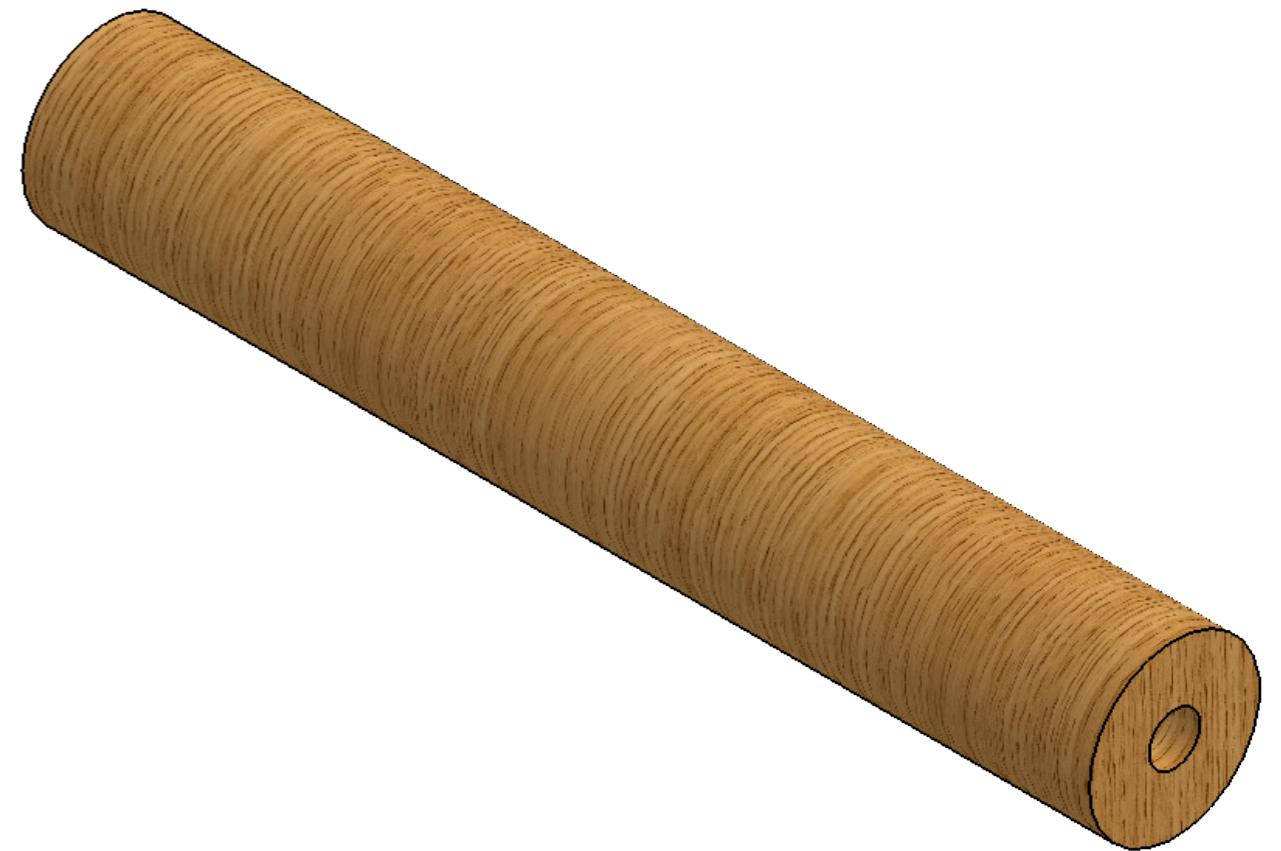
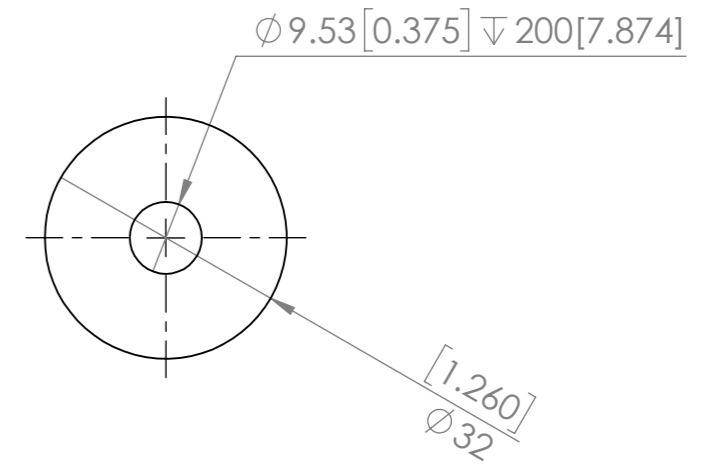
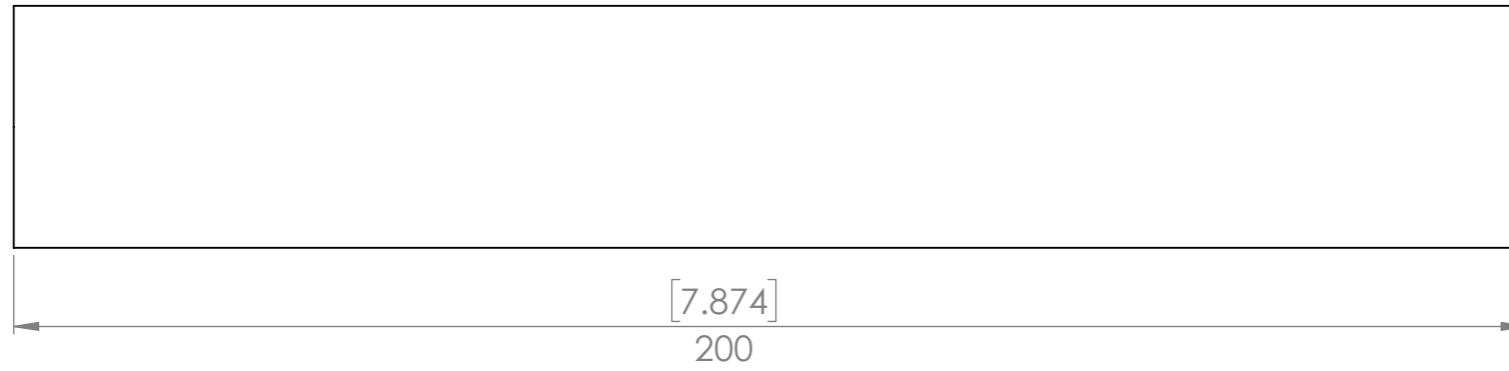
NOTE: The actual shape of the handle is not really important, the critical part is the placement of the holes which must follow the measurements given.




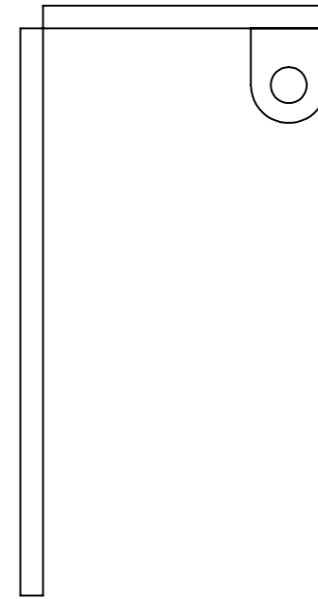
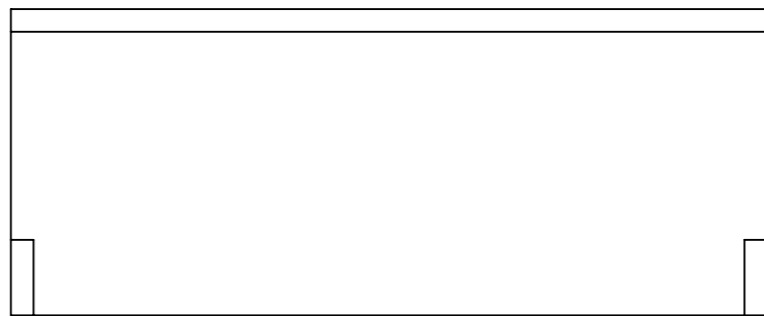
This is full size when printed on A3 paper.

It is an aid to laying out a welded version of the handle as I did in the video. A forged it cut out version would look nicer but is more effort than needed.

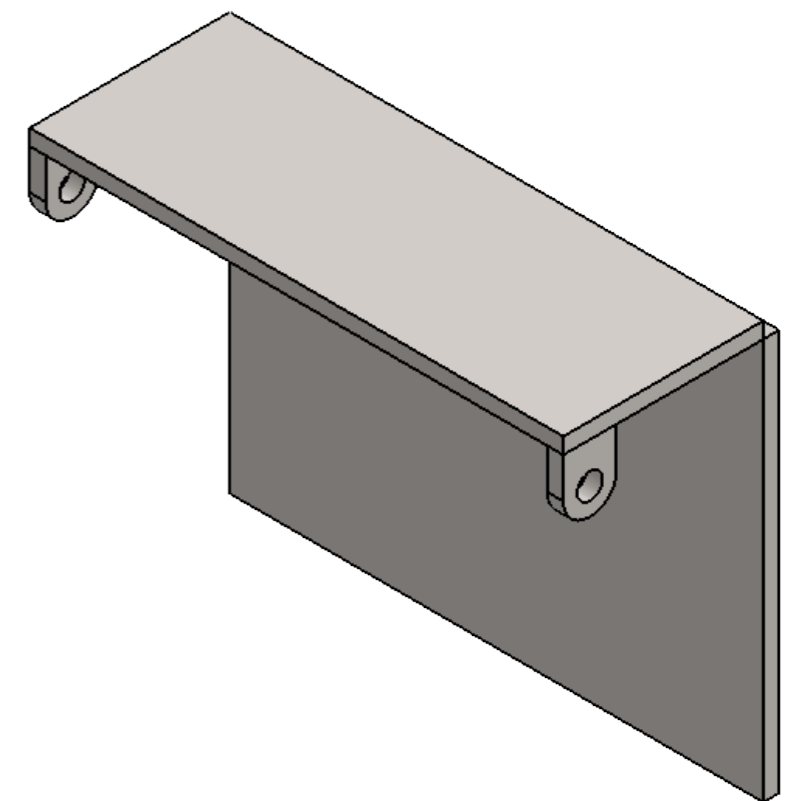
UNLESS OTHERWISE SPECIFIED: DIMENSIONS ARE IN MILLIMETERS		FINISH:		DEBUR AND BREAK SHARP EDGES		DO NOT SCALE DRAWING		REVISION A	
TOLERANCES: LINEAR: +/- 1mm ANGULAR: +/- 1degree						Designed 2 Build			
DRAWN Merlin		DATE 2017-08-04				TITLE: Arm			
Q.A Merlin		2017-09-19							
 Copyright (c)2017 Designed 2 Build All rights reserved. Permission is hereby granted to produce one item from these plans for personal use only.		STOCK:		Flat		PART NO. p0095-005		A3	
		STOCK SIZE:		See video					
		MATERIAL:		Plain Carbon Steel		WEIGHT: 356.78		SCALE:1:1	




UNLESS OTHERWISE SPECIFIED: DIMENSIONS ARE IN MILLIMETERS		FINISH:		DEBUR AND BREAK SHARP EDGES		DO NOT SCALE DRAWING		REVISION A	
TOLERANCES: LINEAR: +/- 1mm ANGULAR: +/- 1degree						Designed 2 Build			
	NAME	DATE				Grip			
DRAWN	Merlin	2017-08-04							
Q.A	Merlin	2017-09-19							
 Copyright (c)2017 Designed 2 Build All rights reserved. Permission is hereby granted to produce one item from these plans for personal use only.		STOCK:		Dowel		PART NO.		p0095-006	
		STOCK SIZE:		200x32		A3			
		MATERIAL:		Oak		WEIGHT: 82.10		SCALE:1:1	

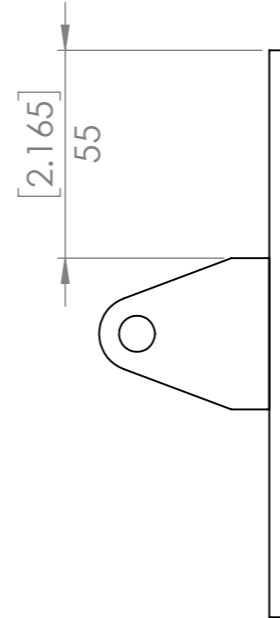


NOTE:
 Weld the top and grip plate together.
 Depending on what you are carrying this
 could be under considerable load and
 could potentially cause serious injury if it
 failed.
 Weld the two hidge tabs as shown.

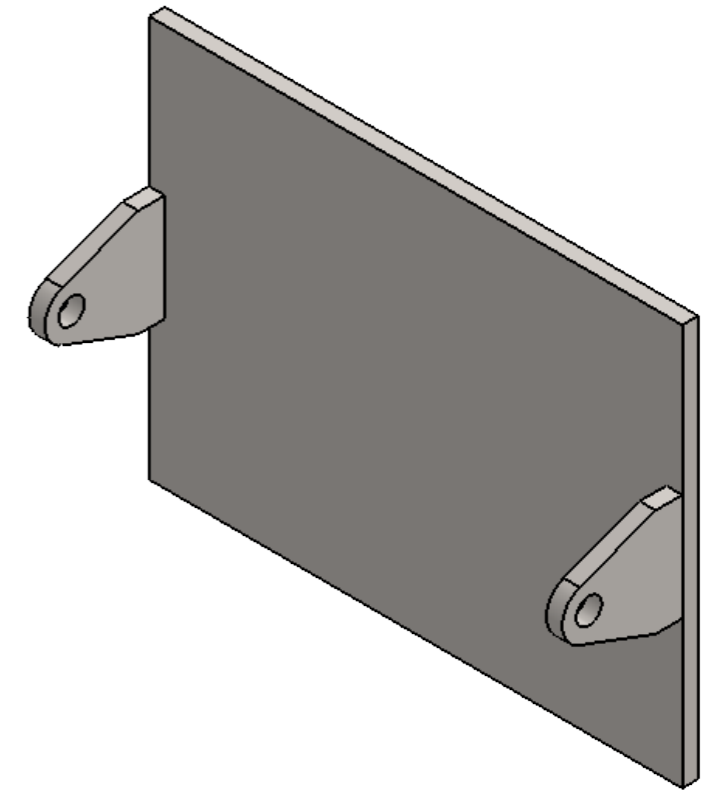


QTY.	PART NUMBER	DESCRIPTION	MATERIAL	WEIGHT
1	p0095-002	Top	Plain Carbon Steel	702.00
1	p0095-001	Grip Plate	Plain Carbon Steel	1404.00
2	p0095-004	Short Hidge	Plain Carbon Steel	18.06


UNLESS OTHERWISE SPECIFIED: DIMENSIONS ARE IN MILLIMETERS		FINISH: Paint	DEBUR AND BREAK SHARP EDGES	DO NOT SCALE DRAWING	REVISION A
TOLERANCES: LINEAR: +/- 1mm ANGULAR: +/- 1degree				Designed 2 Build	
DRAWN	NAME Merlin	DATE 2017-08-04			
Q.A	NAME Merlin	DATE 2017-09-19		PART NO. p0095-A01	
 Copyright (c)2017 Designed 2 Build All rights reserved. Permission is hereby granted to produce one item from these plans for personal use only.		STOCK:		A3	
		STOCK SIZE:		SCALE:1:2	
		MATERIAL: Assembly		SHEET 9 OF 12	
		WEIGHT: 2142.11			

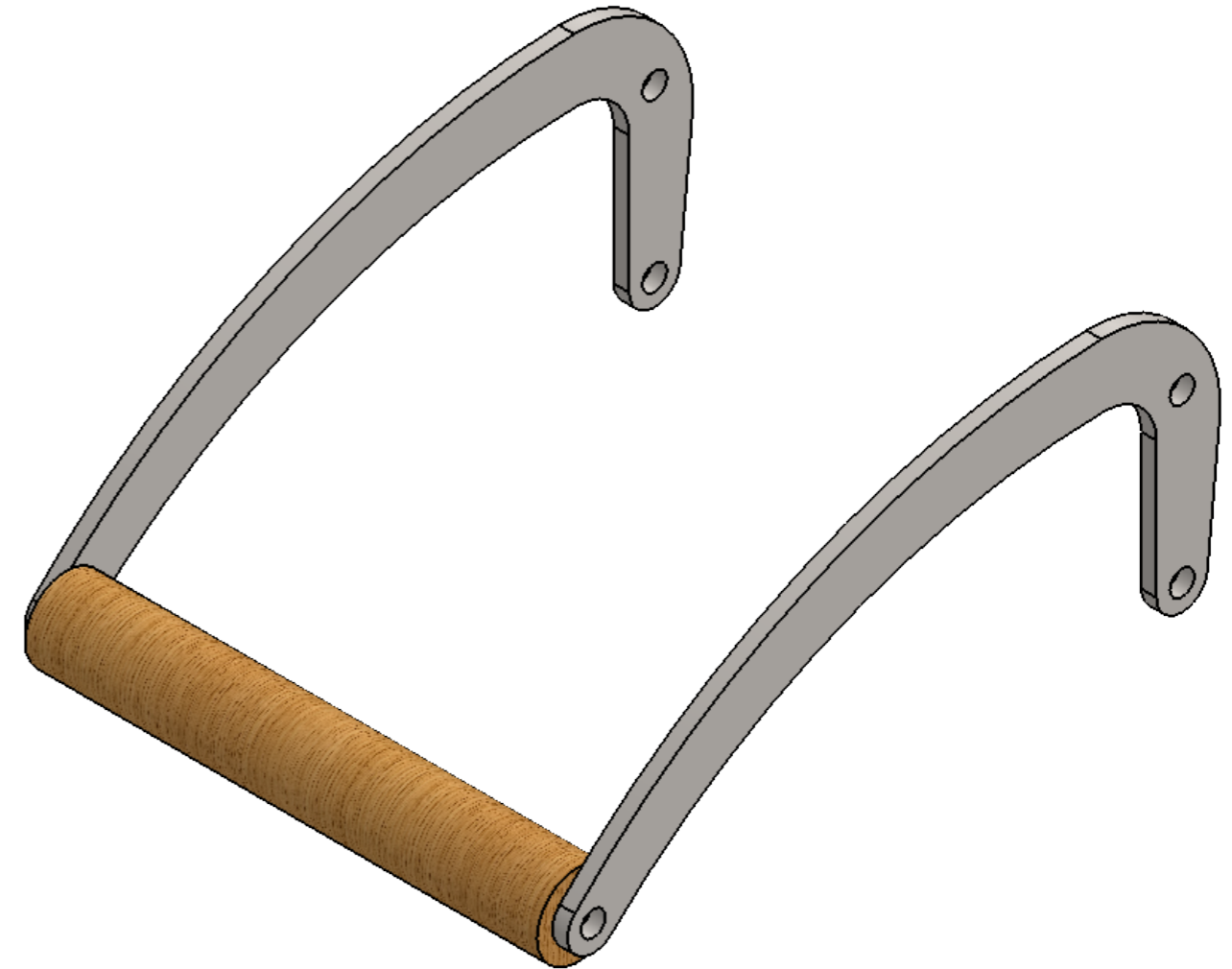
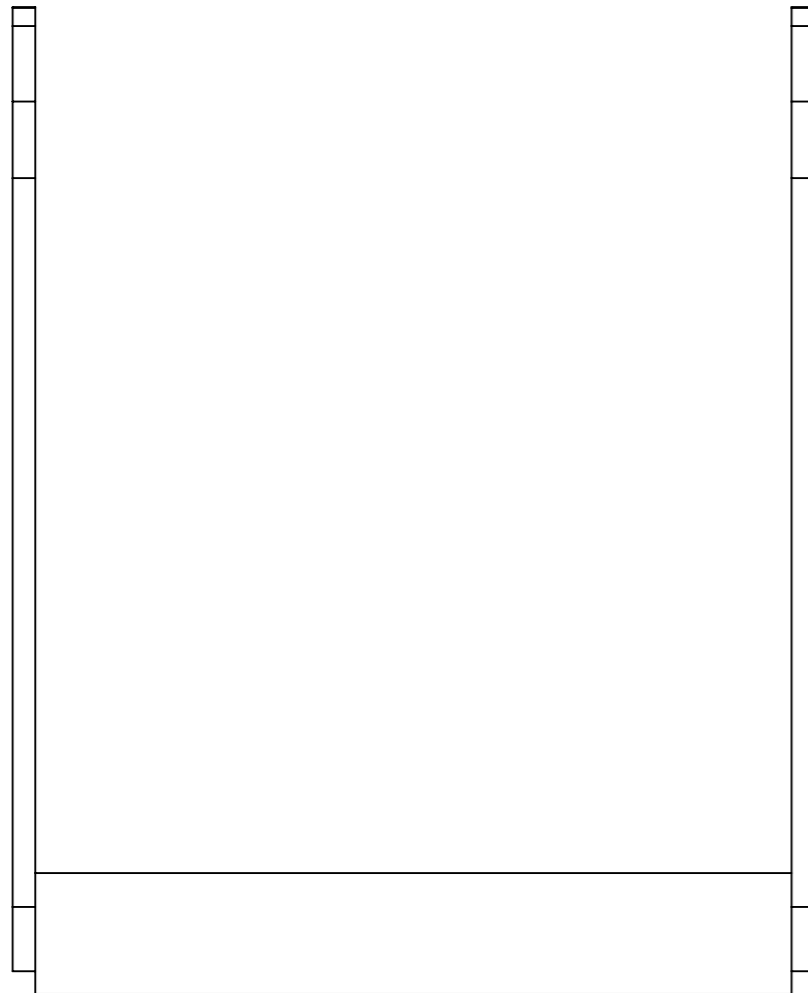
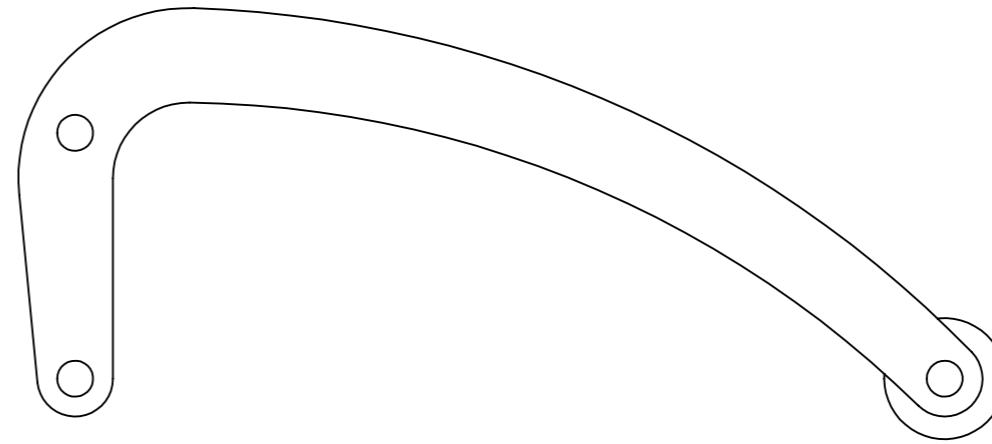


NOTE:
Weld the hinged tabs as shown.
If your grip plate is not the same dimension then be aware that the critical dimension is that from the top to the hinged.

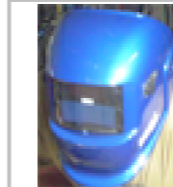


QTY.	PART NUMBER	DESCRIPTION	MATERIAL	WEIGHT
1	p0095-001	Grip Plate	Plain Carbon Steel	1404.00
2	p0095-003	Long Hinged	Plain Carbon Steel	58.70

UNLESS OTHERWISE SPECIFIED: DIMENSIONS ARE IN MILLIMETERS		FINISH: Paint	DEBUR AND BREAK SHARP EDGES	DO NOT SCALE DRAWING	REVISION A
TOLERANCES: LINEAR: +/- 1mm ANGULAR: +/- 1degree				Designed 2 Build Pressure Plate	
DRAWN	Merlin	DATE	2017-08-04		
Q.A	Merlin	DATE	2017-09-19		
		Copyright (c)2017 Designed 2 Build All rights reserved. Permission is hereby granted to produce one item from these plans for personal use only.		STOCK: STOCK SIZE: MATERIAL: Assembly	PART NO. p0096-A02 A3
		WEIGHT: 1521.40		SCALE:1:2	SHEET 10 OF 12

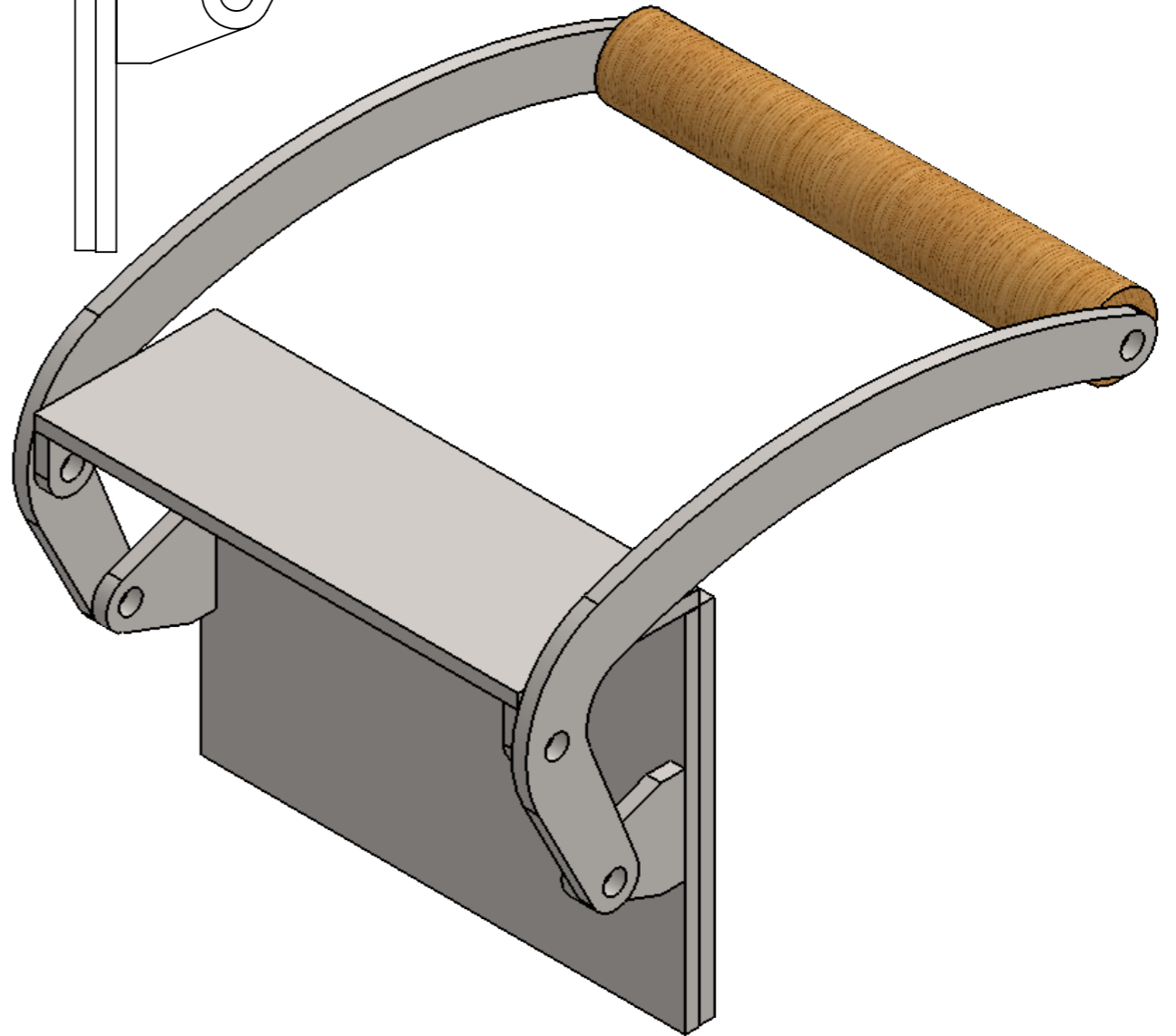
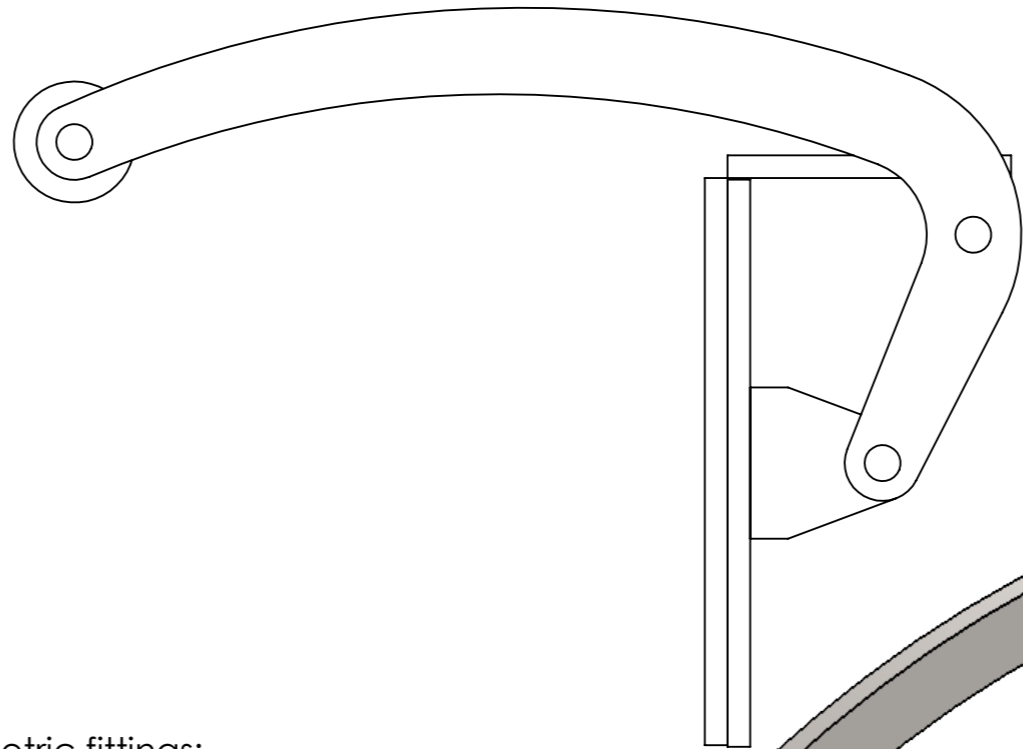
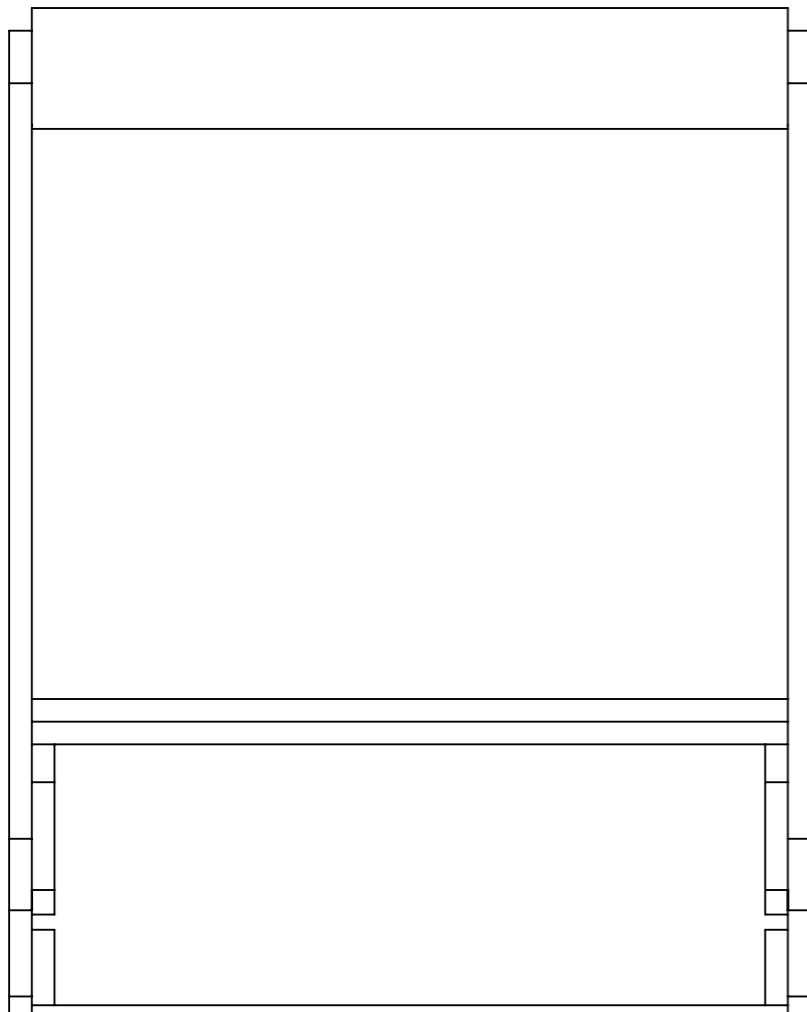
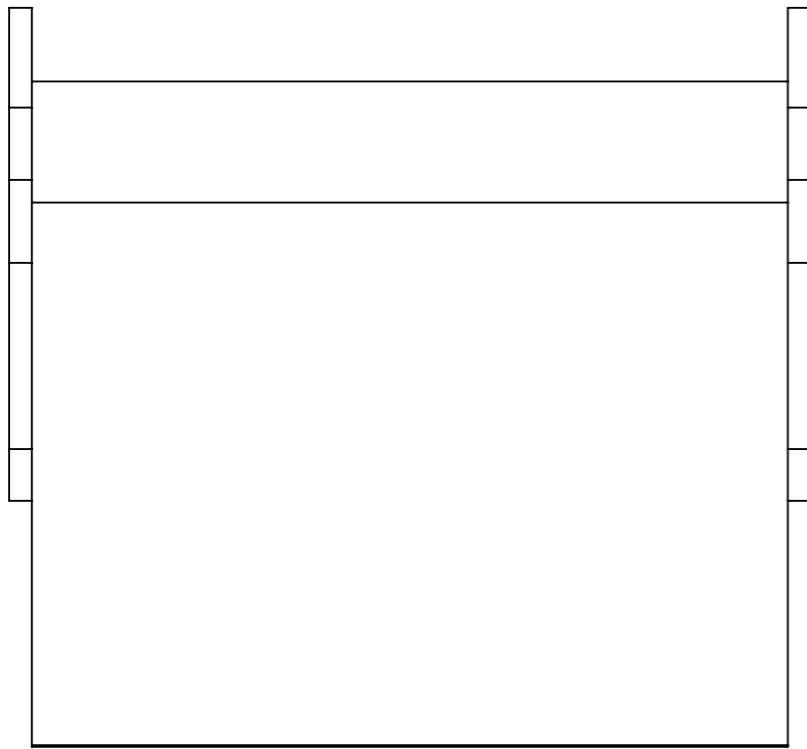


UNLESS OTHERWISE SPECIFIED: DIMENSIONS ARE IN MILLIMETERS		FINISH: Paint	DEBUR AND BREAK SHARP EDGES	DO NOT SCALE DRAWING	REVISION A
TOLERANCES: LINEAR: +/- 1mm ANGULAR: +/- 1degree		Designed 2 Build			
DRAWN Merlin 2017-08-04		NAME Merlin DATE 2017-09-19		TITLE: Handle	
Q.A Merlin		STOCK: STOCK SIZE: MATERIAL: Assembly		PART NO. p0095-A03	A3
WEIGHT: 795.65		SCALE: 1:2		SHEET 11 OF 12	



Copyright (c)2017
Designed 2 Build
All rights reserved.
Permission is hereby
granted to produce
one item from these
plans for personal use
only.


QTY.	PART NUMBER	DESCRIPTION	MATERIAL	WEIGHT
1	p0095-006	Grip	Oak	82.10
2	p0095-005	Arm	Plain Carbon Steel	356.78



Metric fittings:
 4 x 10mm bolts and nuts. 20mm long
 1 x 10mm bolt and nut. 210mm long

Imperial fittings:
 4 x 3/8" bolts and nuts. 1" long
 1 x 3/8" bolt and nut. 4.5" long

QTY.	PART NUMBER	DESCRIPTION	MATERIAL	WEIGHT
1	p0096-A02	Pressure Plate	Assembly	1521.40
1	p0095-A01	Angle Plate	Assembly	2142.11
1	p0095-A03	Handle	Assembly	795.65

UNLESS OTHERWISE SPECIFIED: DIMENSIONS ARE IN MILLIMETERS		FINISH: Paint	DEBUR AND BREAK SHARP EDGES	DO NOT SCALE DRAWING	REVISION A
TOLERANCES: LINEAR: +/- 1mm ANGULAR: +/- 1degree				TITLE: Designed 2 Build	
DRAWN	NAME Merlin	DATE 2017-08-04		Easy Lift	
Q.A	NAME Merlin	DATE 2017-09-19		PART NO.	p0095
 Copyright (c)2017 Designed 2 Build All rights reserved. Permission is hereby granted to produce one item from these plans for personal use only.		STOCK:		SCALE:1:2	SHEET 12 OF 12
		STOCK SIZE:		A3	
		MATERIAL:	Assembly	WEIGHT: 4459.16	