


DISCLAIMER:

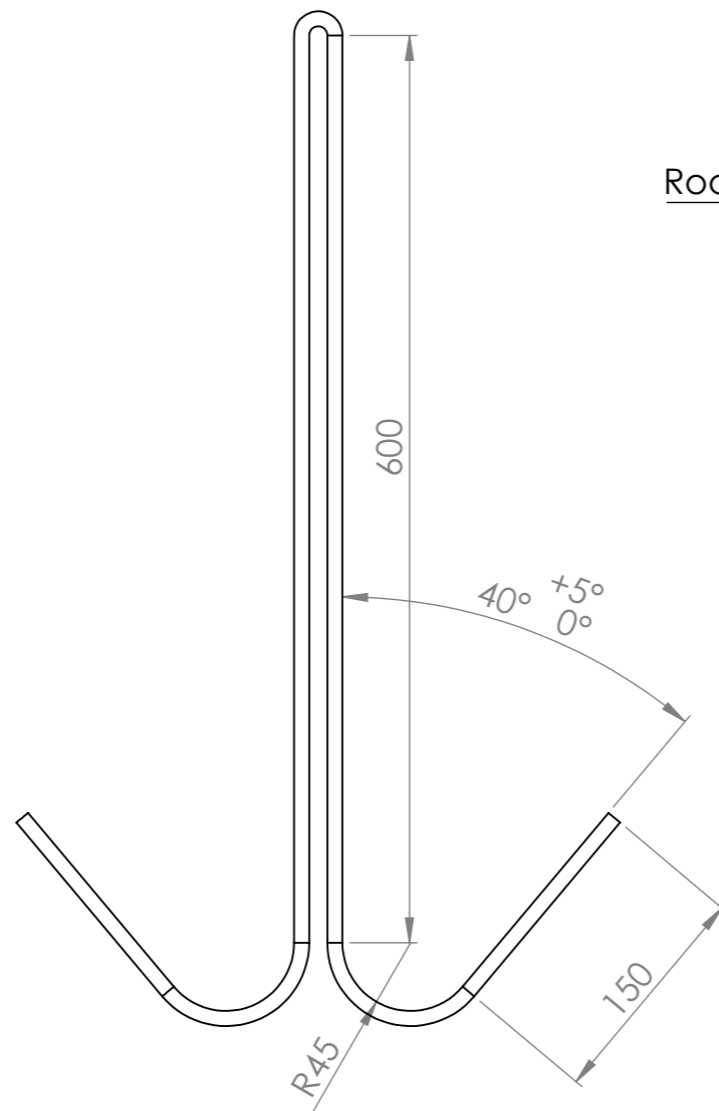
I have built a prototype of this anchor and use it on my boat.

I provide the plans as an example of something that has worked for me. They are provided for educational purposes only. I want to stress in the strongest possible terms that if you choose to build something from these plans then you do so entirely at your own risk.

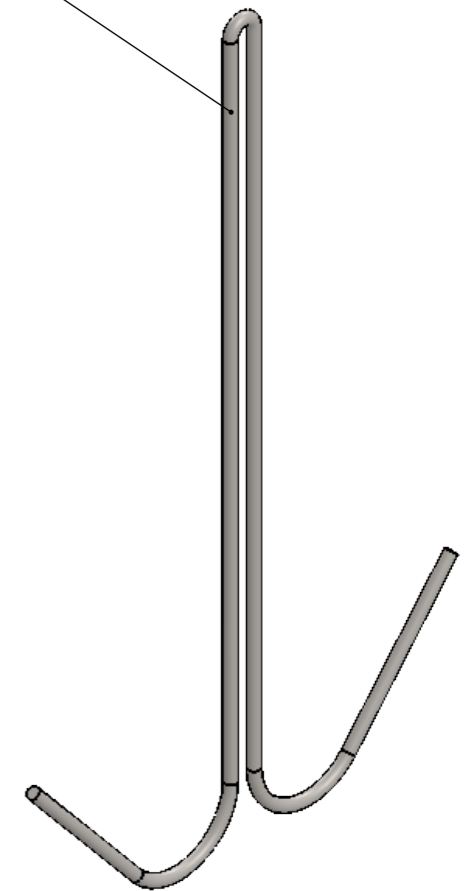
I have no control of the quality of construction nor the modifications you may make to the design. I take no responsibility for anything you choose to do with these plans.


If you do not fully understand everything above or if you do not fully agree with it then DO NOT USE THESE PLANS.

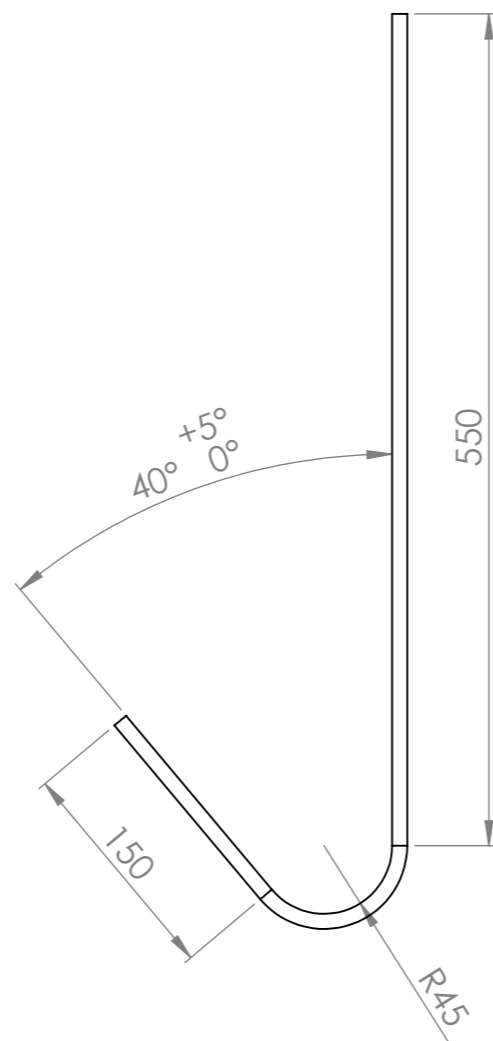
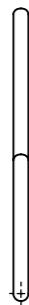
UNLESS OTHERWISE SPECIFIED: DIMENSIONS ARE IN MILLIMETERS		FINISH:		DEBUR AND BREAK SHARP EDGES		DO NOT SCALE DRAWING		REVISION A	
TOLERANCES: LINEAR: +/- 1mm ANGULAR: +/- 1degree						Designed 2 Build			
DRAWN Merlin		DATE				Reef Anchor			
Q.A Merlin									
		Copyright (c)2017 Designed 2 Build All rights reserved. Permission is hereby granted to produce one item from these plans for personal use only.		STOCK:		PART NO. p0109-A01		A3	
				STOCK SIZE:					
				MATERIAL: Assembly		SCALE:1:5		SHEET 1 OF 6	
				WEIGHT: 6065.11					



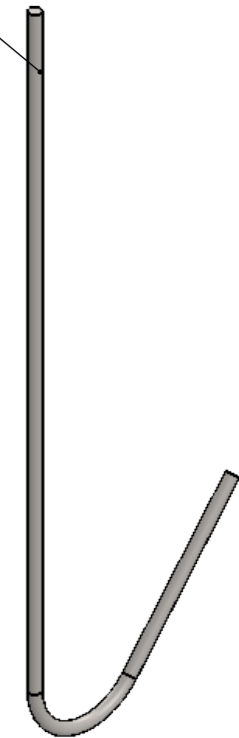
Rod length before bending: 1780mm




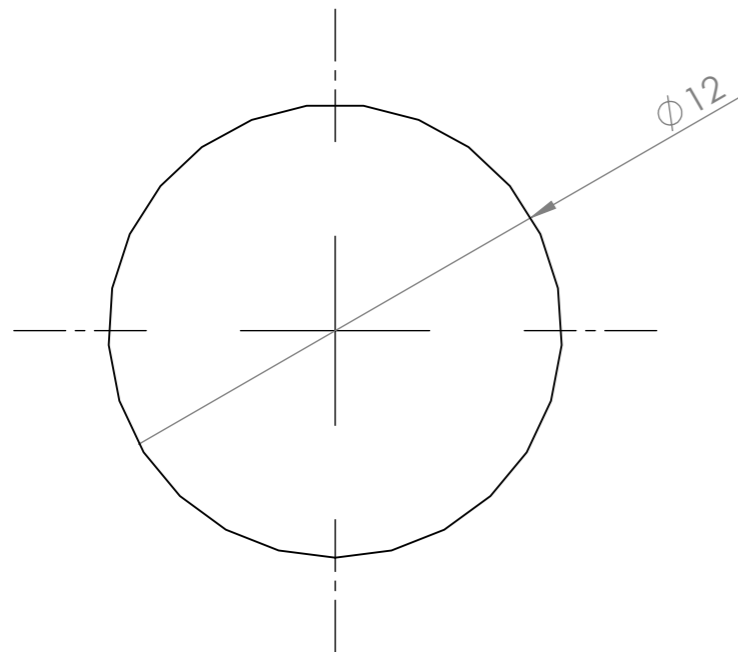
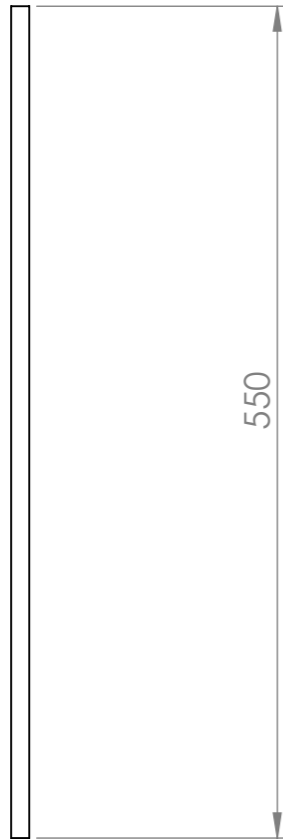
UNLESS OTHERWISE SPECIFIED: DIMENSIONS ARE IN MILLIMETERS		FINISH:		DEBUR AND BREAK SHARP EDGES		DO NOT SCALE DRAWING		REVISION A	
TOLERANCES: LINEAR: +/- 1mm ANGULAR: +/- 1degree						Designed 2 Build			
DRAWN Merlin		DATE				Main Prong			
Q.A Merlin									
 Copyright (c)2017 Designed 2 Build All rights reserved. Permission is hereby granted to produce one item from these plans for personal use only.		STOCK:				PART NO. -0109-002		A3	
		STOCK SIZE:							
		MATERIAL:		Plain Carbon Steel		SCALE:1:5		SHEET 2 OF 6	
		WEIGHT: 1088.75							




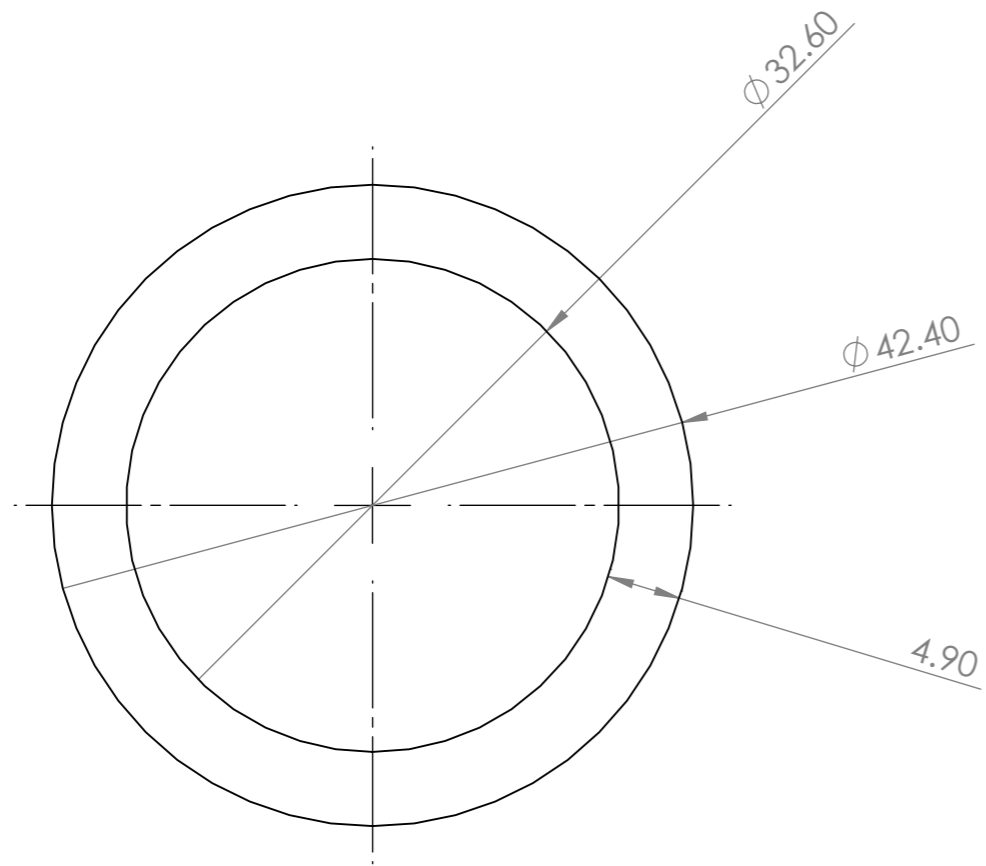
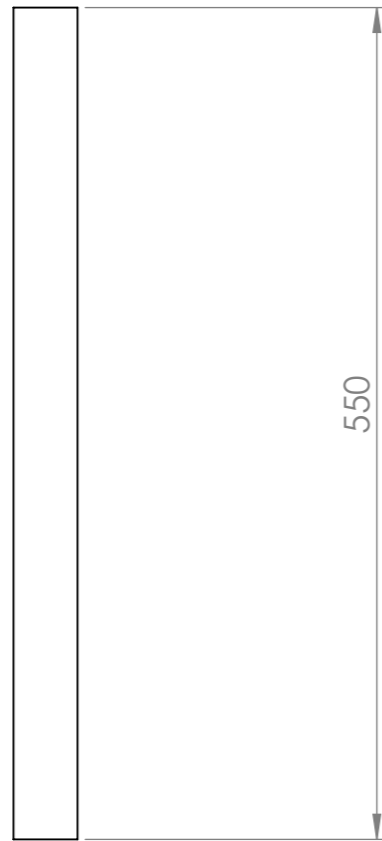
Rod length before bending: 822mm




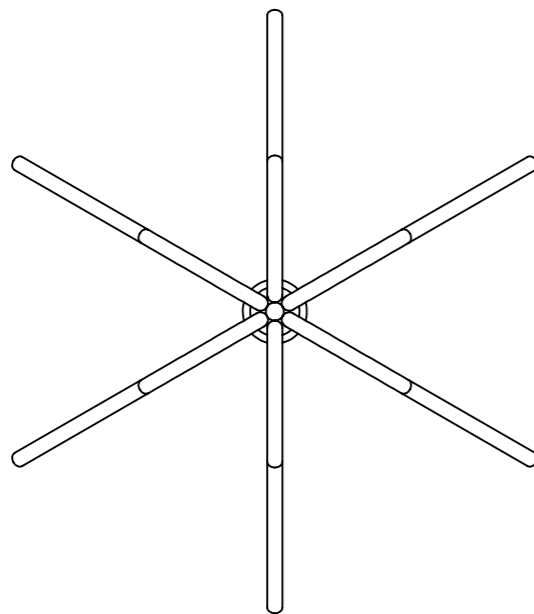
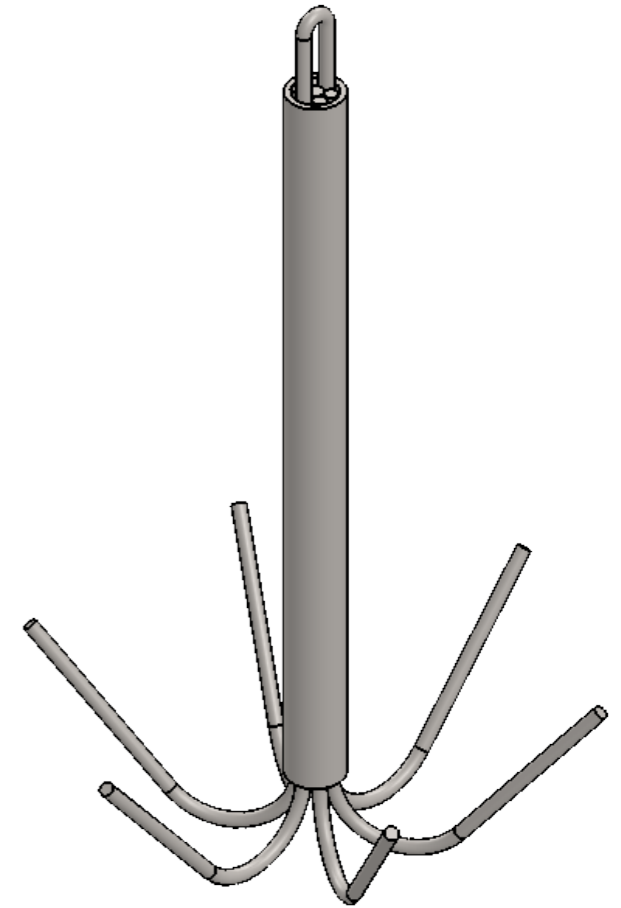
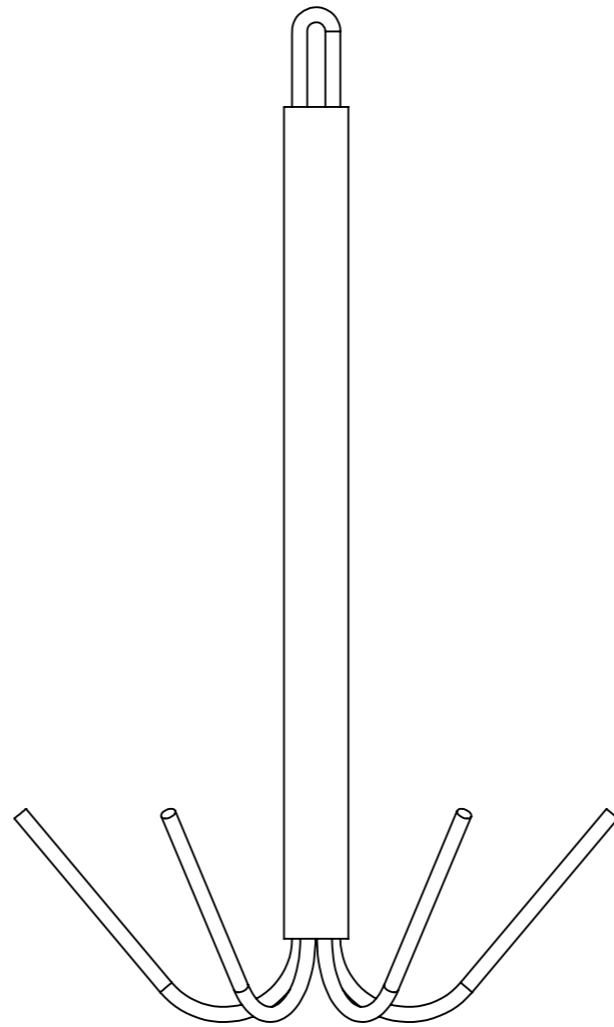
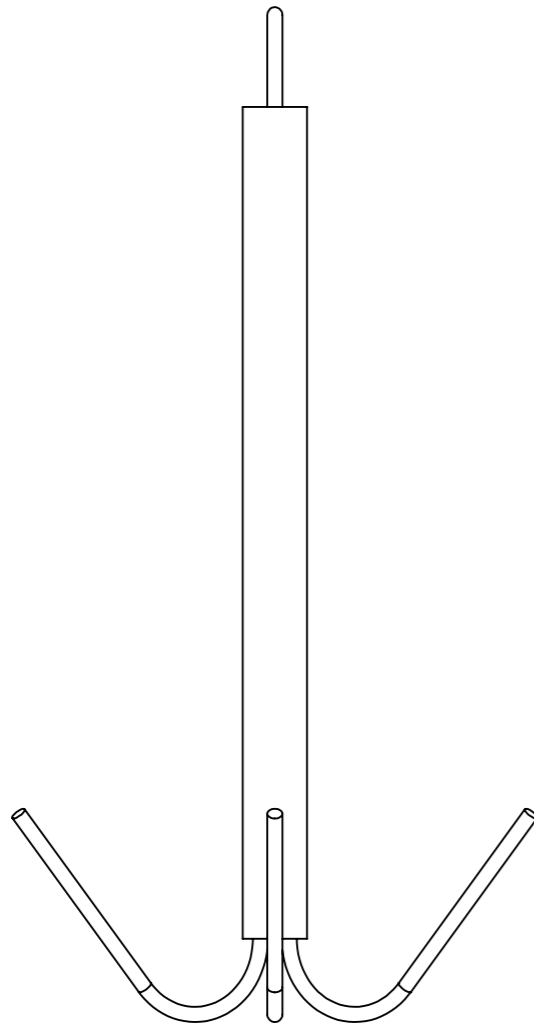
UNLESS OTHERWISE SPECIFIED: DIMENSIONS ARE IN MILLIMETERS		FINISH:		DEBUR AND BREAK SHARP EDGES		DO NOT SCALE DRAWING		REVISION A	
TOLERANCES: LINEAR: +/- 1mm ANGULAR: +/- 1degree						Designed 2 Build Secondary Prong			
DRAWN	Merlin	DATE							
Q.A	Merlin								
 Copyright (c)2017 Designed 2 Build All rights reserved. Permission is hereby granted to produce one item from these plans for personal use only.		STOCK:				PART NO.		A3	
		STOCK SIZE:				p0109-003			
		MATERIAL:		Plain Carbon Steel		SCALE:1:5		SHEET 3 OF 6	
		WEIGHT: 503.67							




UNLESS OTHERWISE SPECIFIED: DIMENSIONS ARE IN MILLIMETERS		FINISH:		DEBUR AND BREAK SHARP EDGES		DO NOT SCALE DRAWING		REVISION A	
TOLERANCES: LINEAR: +/- 1mm ANGULAR: +/- 1degree						Designed 2 Build			
DRAWN Merlin		DATE				TITLE: Centre			
Q.A Merlin									
 Copyright (c)2017 Designed 2 Build All rights reserved. Permission is hereby granted to produce one item from these plans for personal use only.		STOCK:				PART NO. p0109-001		A3	
		STOCK SIZE:							
		MATERIAL:		Plain Carbon Steel		SCALE:1:5		SHEET 4 OF 6	
		WEIGHT: 485.19							



UNLESS OTHERWISE SPECIFIED: DIMENSIONS ARE IN MILLIMETERS		FINISH:		DEBUR AND BREAK SHARP EDGES		DO NOT SCALE DRAWING		REVISION A	
TOLERANCES: LINEAR: +/- 1mm ANGULAR: +/- 1degree						Designed 2 Build			
DRAWN Merlin		DATE				TITLE: Sheath			
Q.A Merlin									
 Copyright (c)2017 Designed 2 Build All rights reserved. Permission is hereby granted to produce one item from these plans for personal use only.		STOCK:				PART NO. p0109-004		A3	
		STOCK SIZE:							
		MATERIAL:		Plain Carbon Steel		SCALE:1:5		SHEET 5 OF 6	
		WEIGHT: 2476.48							



UNLESS OTHERWISE SPECIFIED: DIMENSIONS ARE IN MILLIMETERS		FINISH:		DEBUR AND BREAK SHARP EDGES		DO NOT SCALE DRAWING		REVISION A	
TOLERANCES: LINEAR: +/- 1mm ANGULAR: +/- 1degree						Designed 2 Build Reef Anchor			
DRAWN Merlin		DATE				TITLE:			
Q.A Merlin						PART NO. p0109-A01			
 Copyright (c)2017 Designed 2 Build All rights reserved. Permission is hereby granted to produce one item from these plans for personal use only.		STOCK:				SCALE:1:5		SHEET 6 OF 6	
				STOCK SIZE:					
				MATERIAL:		Assembly		A3	
				WEIGHT: 6065.11					