


This is a simple table I built to hold my plasma cutter and some associated accessories.

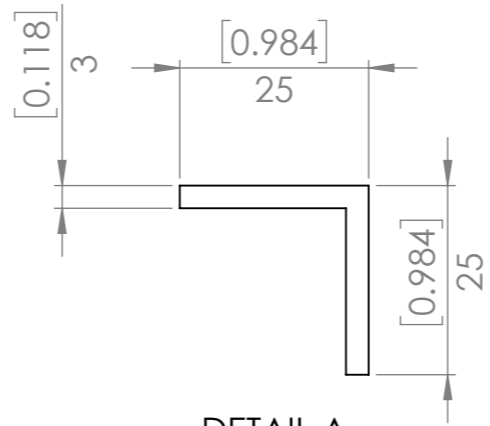
It should be fastened to the wall as, due to the height and narrowness, it will be unstable.

It is very simple and a plan is not really needed but I have done one for the sake of completeness.

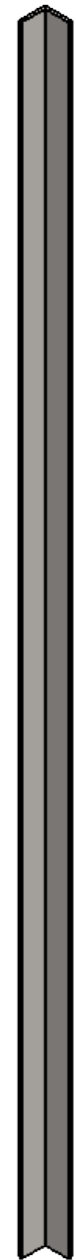
As always, this worked for me. Use these plans entirely at your own risk.


| QTY. | PART NUMBER | DESCRIPTION | MATERIAL           | WEIGHT  |
|------|-------------|-------------|--------------------|---------|
| 2    | p0086-002   | Top Side    | Plain Carbon Steel | 533.73  |
| 2    | p0086-003   | Top End     | Plain Carbon Steel | 258.78  |
| 4    | p0086-001   | Leg         | Plain Carbon Steel | 1099.80 |
| 4    | p0086-004   | Shelf Side  | Plain Carbon Steel | 527.13  |
| 4    | p0086-005   | Shelf End   | Plain Carbon Steel | 252.18  |

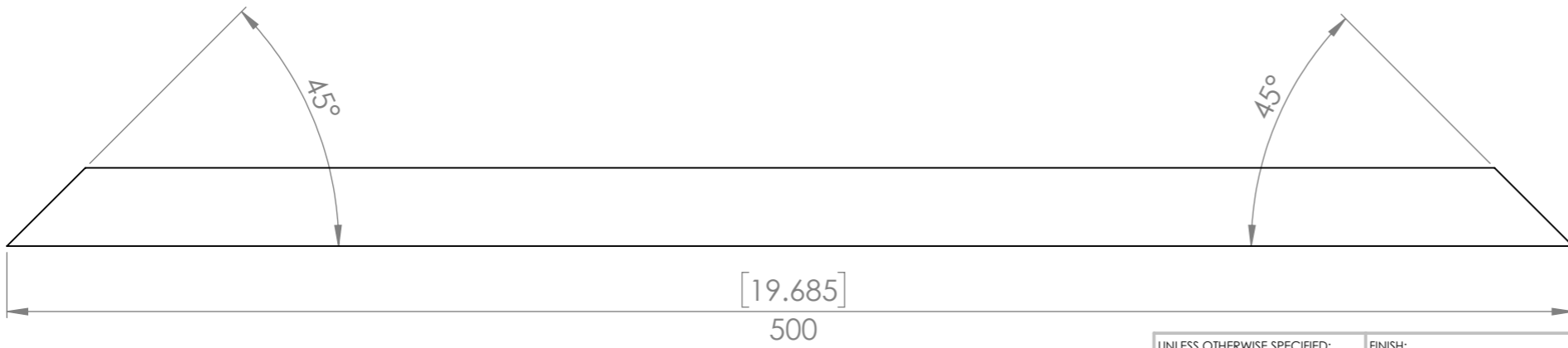
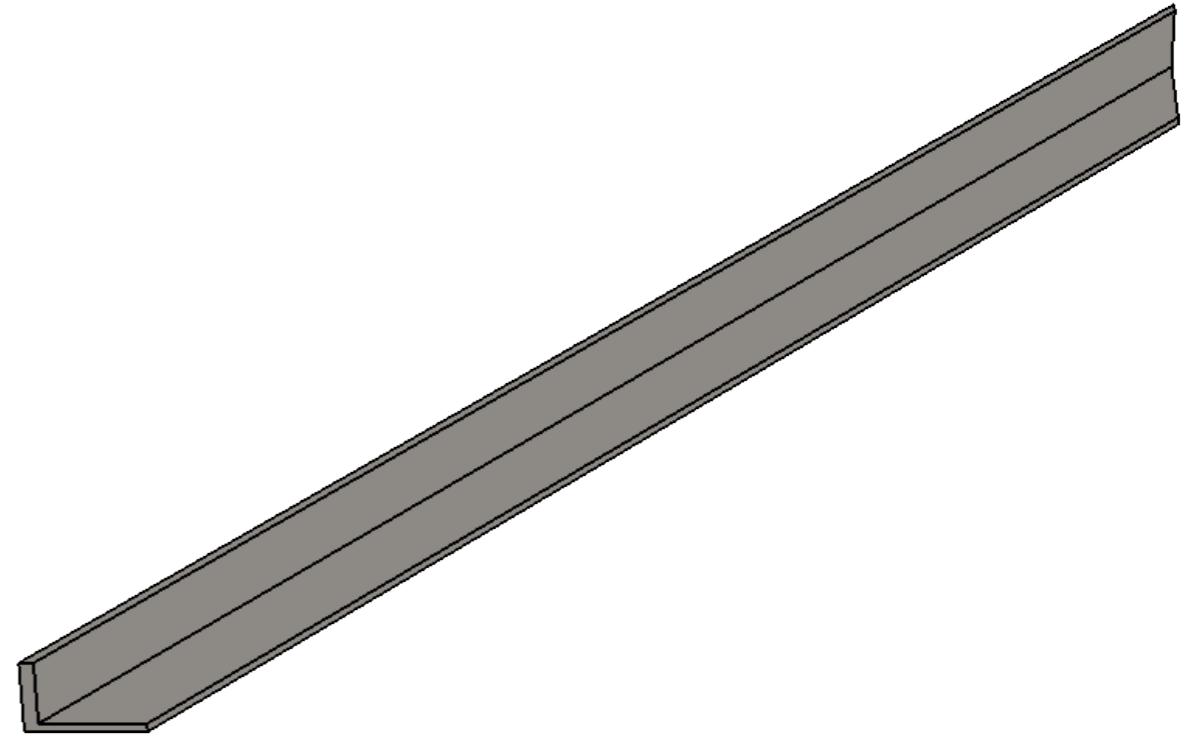
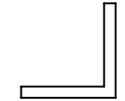
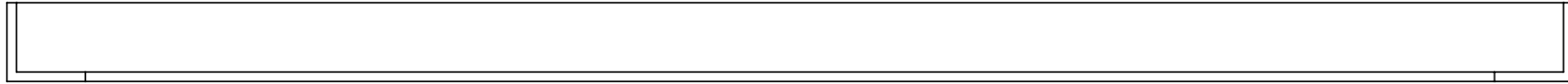
|   |            |                            |                                   |                      |               |
|---|------------|----------------------------|-----------------------------------|----------------------|---------------|
| UNLESS OTHERWISE SPECIFIED:<br>DIMENSIONS ARE IN MILLIMETERS                          |            | FINISH:<br><br>Paint       | DEBUR AND<br>BREAK SHARP<br>EDGES | DO NOT SCALE DRAWING | REVISION<br>A |
| TOLERANCES:<br>LINEAR: +/- 1mm<br>ANGULAR: +/- 1degree                                |            | <b>Designed 2 Build</b>    |                                   |                      |               |
| NAME  | DATE       | TITLE:<br><br><b>Table</b> |                                   |                      |               |
| DRAWN<br>Merlin   | 2017-04-15 | PART NO.<br><b>p0086</b>   |                                   |                      |               |
| Q.A<br>Merlin   |            | STOCK:<br>STOCK SIZE:      |                                   | A3                   |               |
|  |            | MATERIAL:<br><br>Assembly  |                                   | SCALE:1:5            |               |
|   |            | WEIGHT: 9101.48            |                                   | SHEET 1 OF 9         |               |

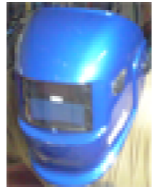


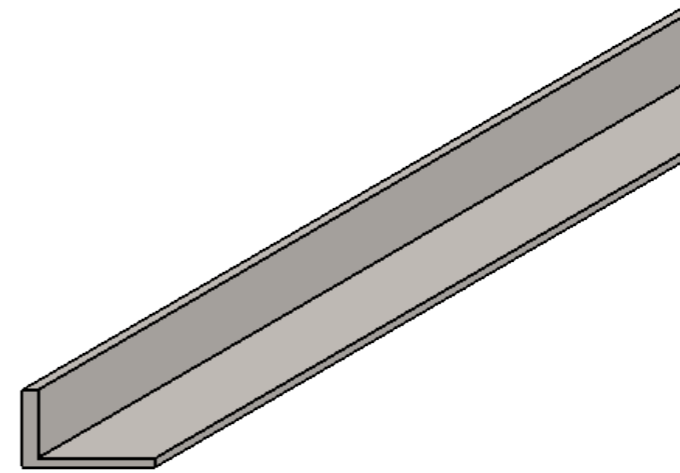
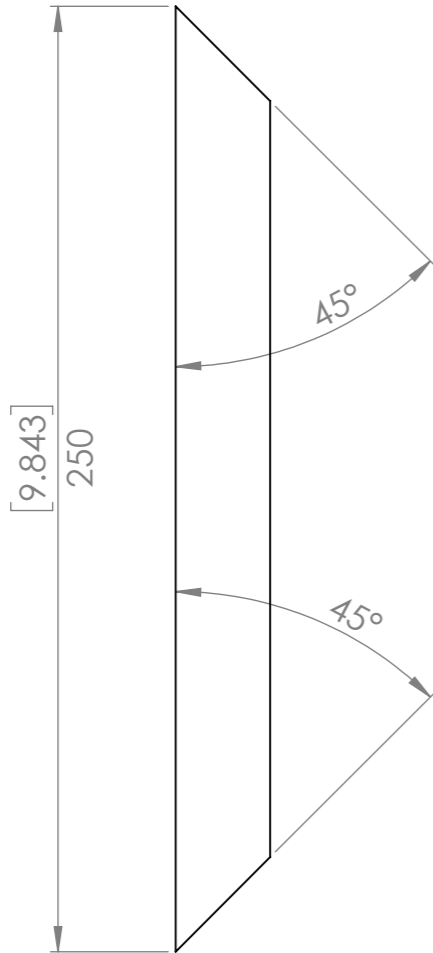
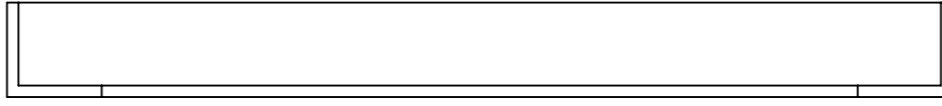
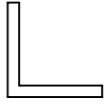
DETAIL A  
SCALE 1 : 1

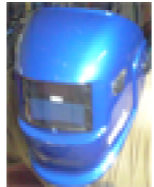


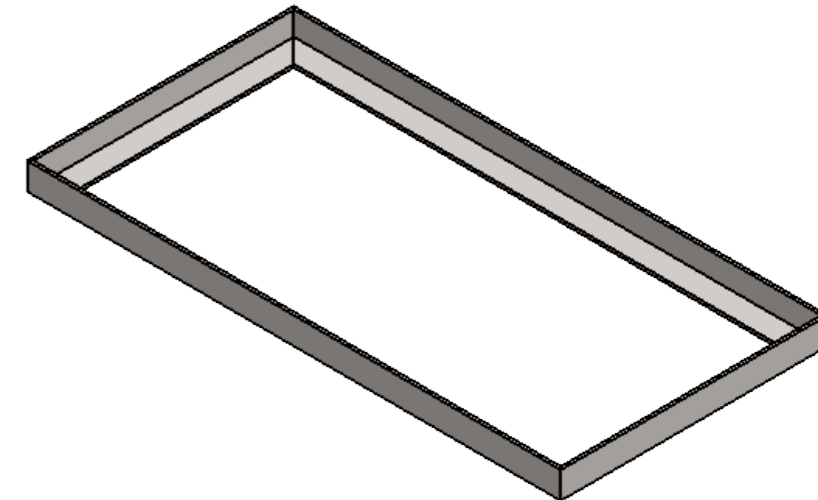
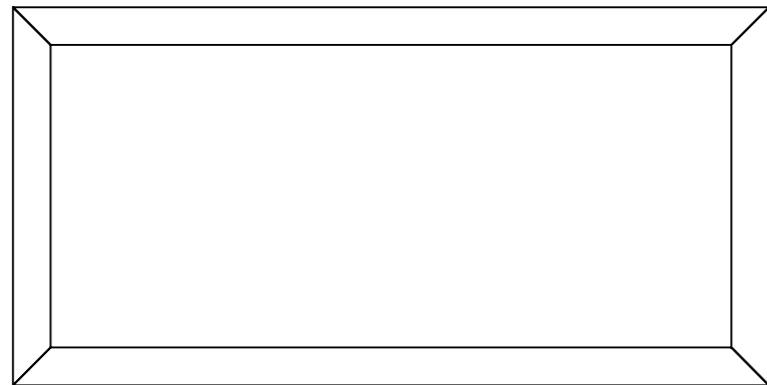
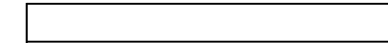
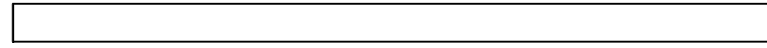
|   |  |                 |  |                                   |  |                      |  |            |  |
|---|--|-----------------|--|-----------------------------------|--|----------------------|--|------------|--|
| UNLESS OTHERWISE SPECIFIED:<br>DIMENSIONS ARE IN MILLIMETERS                          |  | FINISH:         |  | DEBUR AND<br>BREAK SHARP<br>EDGES |  | DO NOT SCALE DRAWING |  | REVISION A |  |
| TOLERANCES:<br>LINEAR: +/- 1mm<br>ANGULAR: +/- 1degree                                |  |                 |  |                                   |  | Designed 2 Build     |  |            |  |
|   |  |                 |  |                                   |  |                      |  |            |  |
| DRAWN Merlin  |  | DATE 2017-04-15 |  |                                   |  | TITLE:<br><br>Leg    |  |            |  |
| Q.A Merlin  |  |                 |  |                                   |  |                      |  |            |  |
|  |  | STOCK:          |  | Angle                             |  | PART NO.             |  | p0086-001  |  |
|   |  | STOCK SIZE:     |  | 25x25x3                           |  | MATERIAL:            |  | A3         |  |
|   |  |                 |  | Plain Carbon Steel                |  | WEIGHT: 1099.80      |  | SCALE:1:5  |  |




|   |                |                    |  |                                   |         |  |  |               |  |  |
|---|----------------|--------------------|--|-----------------------------------|---------|--|--|---------------|--|--|
| UNLESS OTHERWISE SPECIFIED:<br>DIMENSIONS ARE IN MILLIMETERS                          |                | FINISH:            |  | DEBUR AND<br>BREAK SHARP<br>EDGES |         | DO NOT SCALE DRAWING   |  | REVISION<br>A |  |  |
| TOLERANCES:<br>LINEAR: +/- 1mm<br>ANGULAR: +/- 1degree                                |                |                    |  |                                   |         | TITLE:<br><br><b>Designed 2 Build</b><br><br><b>Top Side</b> |  |               |  |  |
| DRAWN   | NAME<br>Merlin | DATE<br>2017-04-15 |  |                                   |         |  |  |               |  |  |
| Q.A   | NAME<br>Merlin |                    |  |                                   |         |  |  |               |  |  |
|  |                |                    |  | STOCK:                            | Angle   | PART NO.:  |  | p0086-002     |  |  |
|   |                |                    |  | STOCK SIZE:                       | 25x25x3 | MATERIAL:  |  | A3            |  |  |
|   |                |                    |  | Plain Carbon Steel                |         | SCALE:1:2  |  | SHEET 3 OF 9  |  |  |
|   |                |                    |  | WEIGHT: 533.73                    |         |  |  |               |  |  |

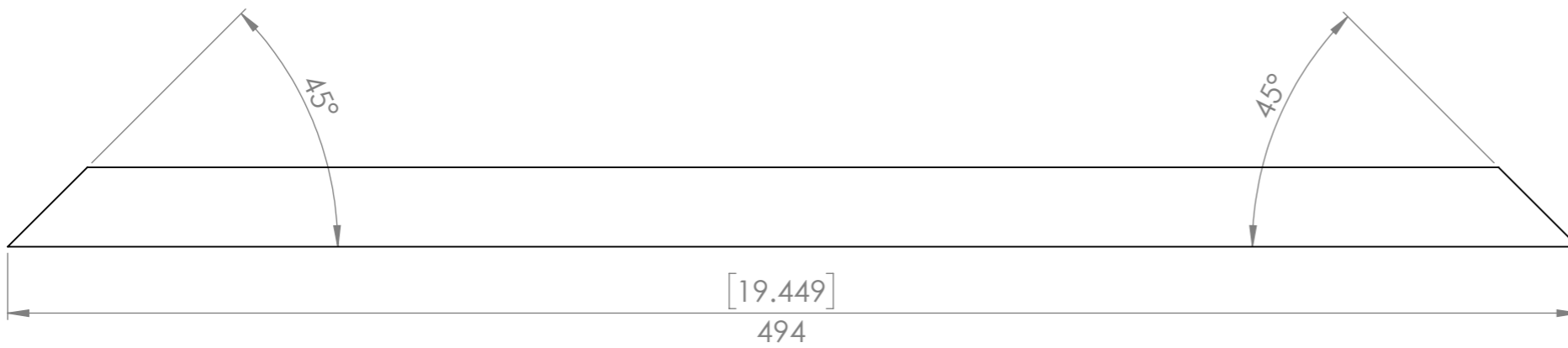
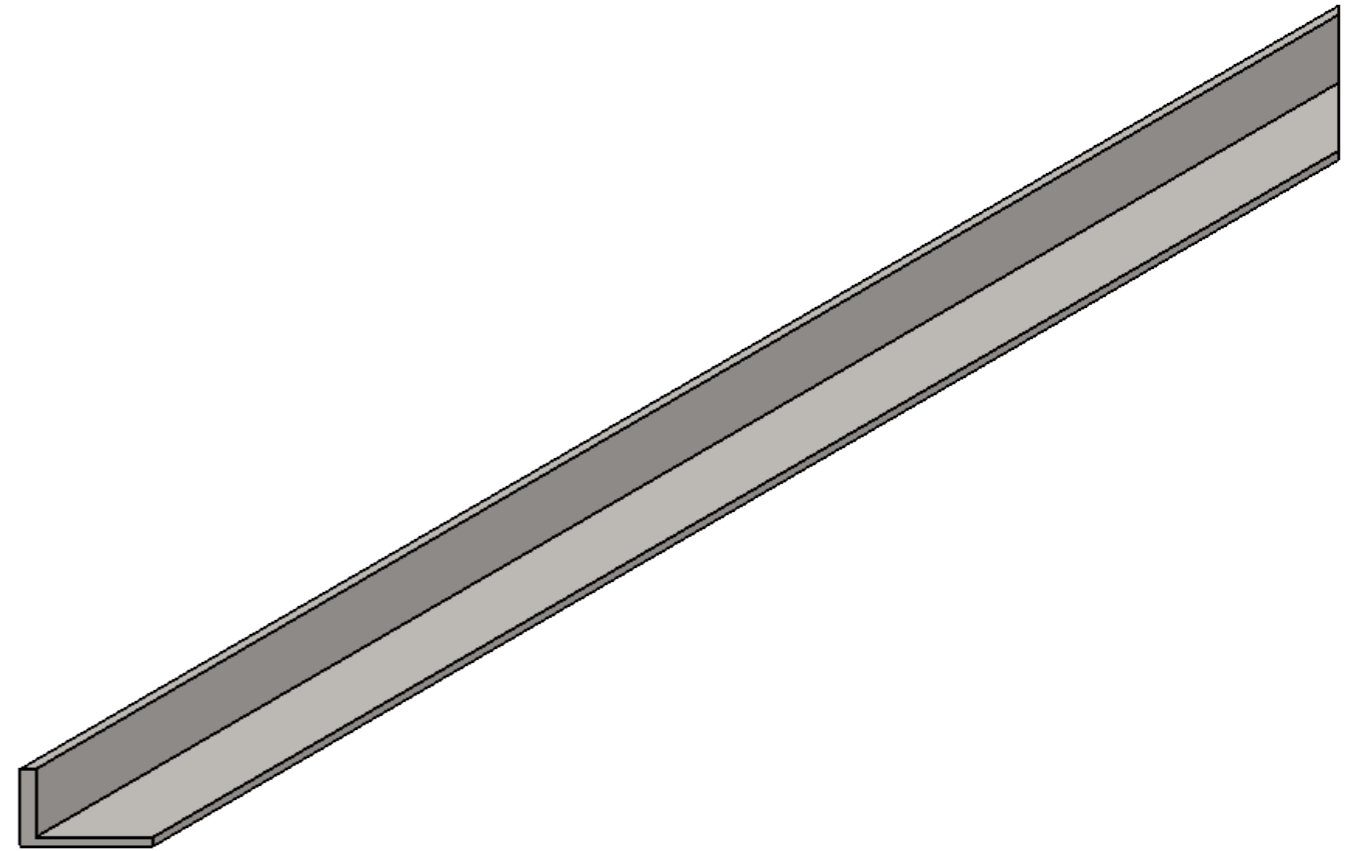
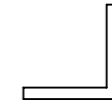
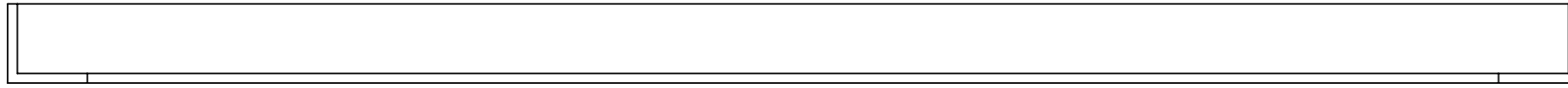


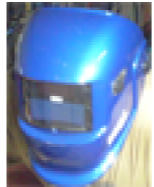
|   |  |                    |  |                                   |  |                       |  |               |  |
|---|--|--------------------|--|-----------------------------------|--|-----------------------|--|---------------|--|
| UNLESS OTHERWISE SPECIFIED:<br>DIMENSIONS ARE IN MILLIMETERS                          |  | FINISH:            |  | DEBUR AND<br>BREAK SHARP<br>EDGES |  | DO NOT SCALE DRAWING  |  | REVISION<br>A |  |
| TOLERANCES:<br>LINEAR: +/- 1mm<br>ANGULAR: +/- 1degree                                |  |                    |  |                                   |  | Designed 2 Build      |  |               |  |
|   |  |                    |  |                                   |  |                       |  |               |  |
| DRAWN<br>Merlin   |  | DATE<br>2017-04-15 |  |                                   |  | TITLE:<br><br>Top End |  |               |  |
| Q.A<br>Merlin   |  |                    |  |                                   |  |                       |  |               |  |
|  |  | STOCK:             |  | Angle                             |  | PART NO.              |  | p0086-003     |  |
|   |  | STOCK SIZE:        |  | 25x25x3                           |  | MATERIAL:             |  | A3            |  |
|   |  |                    |  | Plain Carbon Steel                |  | WEIGHT: 258.78        |  | SCALE: 1:2    |  |

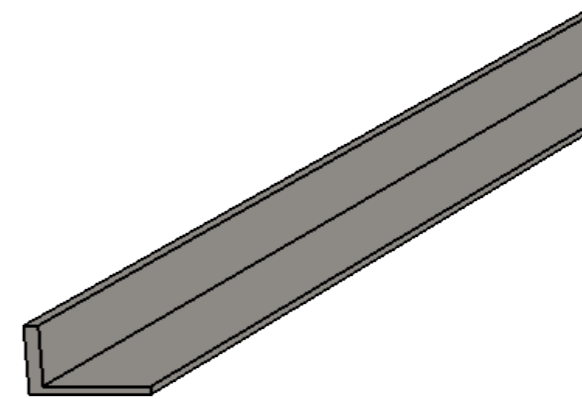
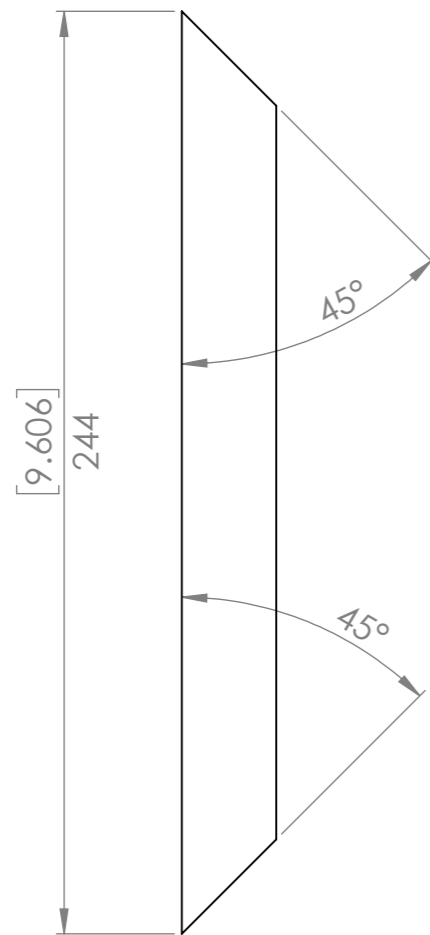
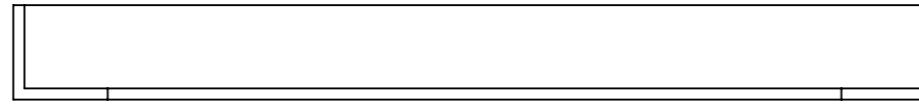
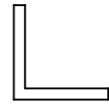



| QTY. | PART NUMBER | DESCRIPTION | MATERIAL           | WEIGHT |
|------|-------------|-------------|--------------------|--------|
| 2    | p0086-002   | Top Side    | Plain Carbon Steel | 533.73 |
| 2    | p0086-003   | Top End     | Plain Carbon Steel | 258.78 |

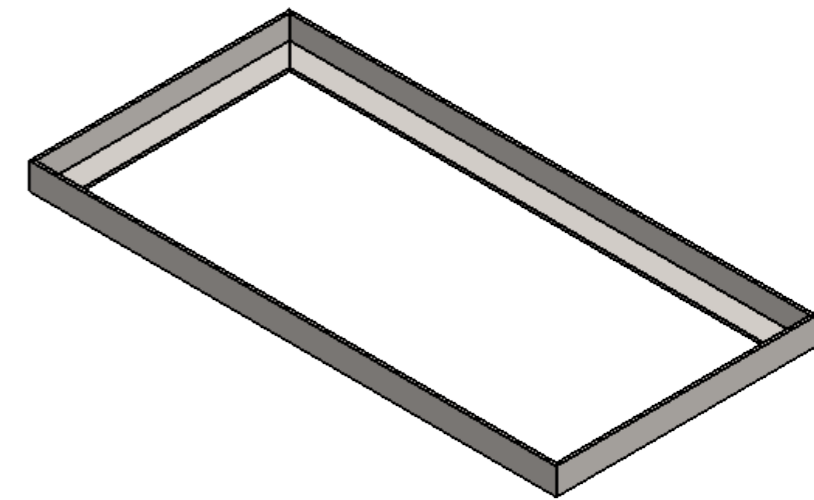
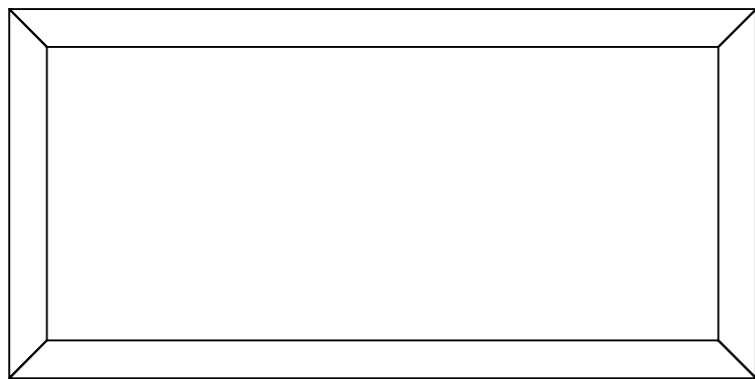
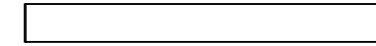
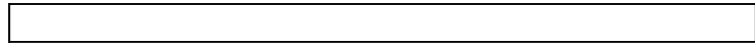
|   |  |                        |  |                                   |  |                         |  |                  |  |
|---|--|------------------------|--|-----------------------------------|--|-------------------------|--|------------------|--|
| UNLESS OTHERWISE SPECIFIED:<br>DIMENSIONS ARE IN MILLIMETERS                          |  | FINISH:<br><b>Bare</b> |  | DEBUR AND<br>BREAK SHARP<br>EDGES |  | DO NOT SCALE DRAWING    |  | REVISION<br>A    |  |
| TOLERANCES:<br>LINEAR: +/- 1mm<br>ANGULAR: +/- 1degree                                |  |                        |  |                                   |  | <b>Designed 2 Build</b> |  |                  |  |
| DRAWN<br>Merlin   |  | DATE<br>2017-04-15     |  |                                   |  | <b>Top</b>              |  |                  |  |
| Q.A<br>Merlin   |  |                        |  |                                   |  |                         |  |                  |  |
|  |  | STOCK:                 |  |                                   |  | PART NO.                |  | <b>p0086-A01</b> |  |
|   |  | STOCK SIZE:            |  |                                   |  | A3                      |  |                  |  |
|   |  | MATERIAL:              |  | <b>Assembly</b>                   |  | SCALE:1:5               |  | SHEET 5 OF 9     |  |
|   |  | WEIGHT: 1585.02        |  |                                   |  |                         |  |                  |  |



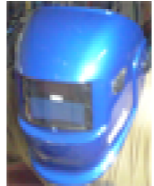
|   |  |                    |  |                                   |  |                          |  |               |  |
|---|--|--------------------|--|-----------------------------------|--|--------------------------|--|---------------|--|
| UNLESS OTHERWISE SPECIFIED:<br>DIMENSIONS ARE IN MILLIMETERS                          |  | FINISH:            |  | DEBUR AND<br>BREAK SHARP<br>EDGES |  | DO NOT SCALE DRAWING     |  | REVISION<br>A |  |
| TOLERANCES:<br>LINEAR: +/- 1mm<br>ANGULAR: +/- 1degree                                |  |                    |  |                                   |  | Designed 2 Build         |  |               |  |
|   |  |                    |  |                                   |  |                          |  |               |  |
| DRAWN<br>Merlin   |  | DATE<br>2017-04-15 |  |                                   |  | TITLE:<br><br>Shelf Side |  |               |  |
| Q.A<br>Merlin   |  |                    |  |                                   |  |                          |  |               |  |
|  |  | STOCK:             |  | Angle                             |  | PART NO.                 |  | p0086-004     |  |
|   |  | STOCK SIZE:        |  | 25x25x3                           |  | SCALE:1:2                |  | SHEET 6 OF 9  |  |
|   |  | MATERIAL:          |  | Plain Carbon Steel                |  | WEIGHT: 527.13           |  | A3            |  |



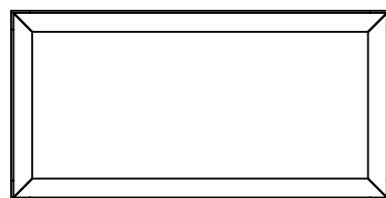
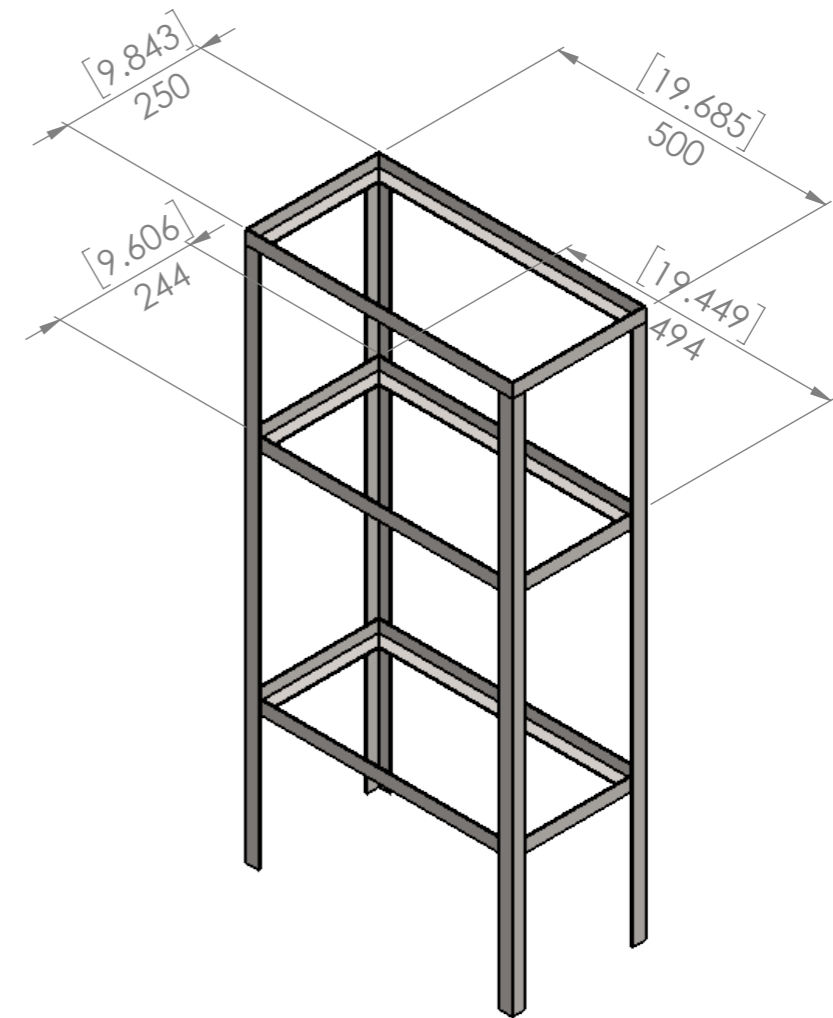
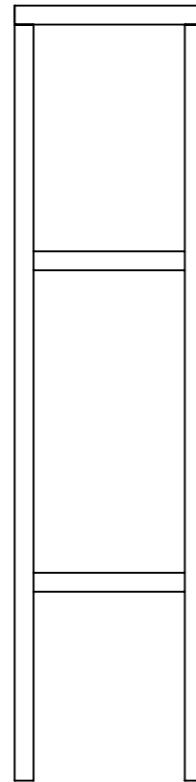
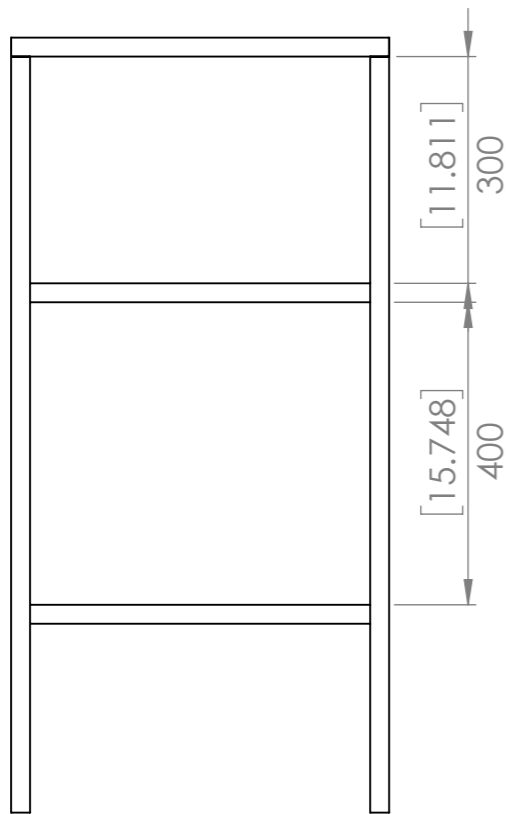
|   |  |                    |  |                                   |  |                              |  |               |  |
|---|--|--------------------|--|-----------------------------------|--|------------------------------|--|---------------|--|
| UNLESS OTHERWISE SPECIFIED:<br>DIMENSIONS ARE IN MILLIMETERS                          |  | FINISH:            |  | DEBUR AND<br>BREAK SHARP<br>EDGES |  | DO NOT SCALE DRAWING         |  | REVISION<br>A |  |
| TOLERANCES:<br>LINEAR: +/- 1mm<br>ANGULAR: +/- 1degree                                |  |                    |  |                                   |  | <b>Designed 2 Build</b>      |  |               |  |
|   |  |                    |  |                                   |  |                              |  |               |  |
| DRAWN<br>Merlin   |  | DATE<br>2017-04-15 |  |                                   |  | <b>Shelf End</b>             |  |               |  |
| Q.A<br>Merlin   |  |                    |  |                                   |  |                              |  |               |  |
|  |  | STOCK:             |  | Angle                             |  | PART NO.<br><b>p0086-005</b> |  | A3            |  |
|   |  | STOCK SIZE:        |  | 25x25x3                           |  |                              |  |               |  |
|   |  | MATERIAL:          |  | Plain Carbon Steel                |  | SCALE: 1:2                   |  | SHEET 7 OF 9  |  |
|   |  | WEIGHT: 252.18     |  |                                   |  |                              |  |               |  |




| QTY. | PART NUMBER | DESCRIPTION | MATERIAL           | WEIGHT |
|------|-------------|-------------|--------------------|--------|
| 2    | p0086-004   | Shelf Side  | Plain Carbon Steel | 527.13 |
| 2    | p0086-005   | Shelf End   | Plain Carbon Steel | 252.18 |

|   |                |                         |                                   |                      |               |
|---|----------------|-------------------------|-----------------------------------|----------------------|---------------|
| UNLESS OTHERWISE SPECIFIED:<br>DIMENSIONS ARE IN MILLIMETERS                          |                | FINISH:<br><br>Bare     | DEBUR AND<br>BREAK SHARP<br>EDGES | DO NOT SCALE DRAWING | REVISION<br>A |
| TOLERANCES:<br>LINEAR: +/- 1mm<br>ANGULAR: +/- 1degree                                |                | <b>Designed 2 Build</b> |                                   |                      |               |
| DRAWN   | NAME<br>Merlin | DATE<br>2017-04-15      | TITLE:<br><br>Shelf               |                      |               |
| Q.A   | Merlin         |                         | PART NO. p0086-A02                |                      |               |
|  |                | STOCK:                  | SCALE: 1:5                        |                      |               |
|   |                | STOCK SIZE:             | SHEET 8 OF 9                      |                      |               |
|   |                | MATERIAL:<br>Assembly   | WEIGHT: 1558.63                   |                      |               |





| QTY. | PART NUMBER | DESCRIPTION | MATERIAL           | WEIGHT  |
|------|-------------|-------------|--------------------|---------|
| 1    | p0086-A01   | Top         | Assembly           | 1585.02 |
| 4    | p0086-001   | Leg         | Plain Carbon Steel | 1099.80 |
| 2    | p0086-A02   | Shelf       | Assembly           | 1558.63 |

|   |                |                              |                                   |                      |                      |
|---|----------------|------------------------------|-----------------------------------|----------------------|----------------------|
| UNLESS OTHERWISE SPECIFIED:<br>DIMENSIONS ARE IN MILLIMETERS                          |                | FINISH:<br><b>Paint</b>      | DEBUR AND<br>BREAK SHARP<br>EDGES | DO NOT SCALE DRAWING | REVISION<br><b>A</b> |
| TOLERANCES:<br>LINEAR: +/- 1mm<br>ANGULAR: +/- 1degree                                |                | <b>Designed 2 Build</b>      |                                   |                      |                      |
| DRAWN   | NAME<br>Merlin | DATE<br>2017-04-15           | TITLE:<br><b>Table</b>            |                      |                      |
| Q.A   | Merlin         |                              | PART NO.<br><b>p0086</b>          |                      |                      |
|  |                | STOCK:                       | SCALE:1:10                        |                      |                      |
|   |                | STOCK SIZE:                  | SHEET 9 OF 9                      |                      |                      |
|   |                | MATERIAL:<br><b>Assembly</b> | PART NO.<br><b>p0086</b>          |                      |                      |
|   |                | WEIGHT: 9101.48              | SHEET 9 OF 9                      |                      |                      |